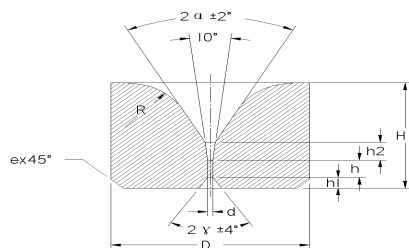


1. Datos para Trefilado de Alambre de Carburo de Tungsteno para Alambres de Metal S01

Alcance del Tamaño: 0.2~0.5mm

Parámetro de S01

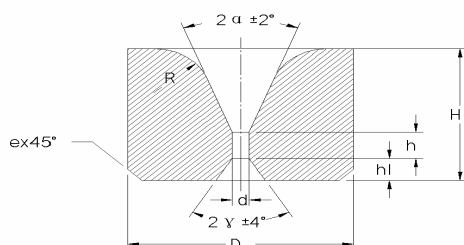


Nuevo Tipo	Tipo Antiguo	Dimensión (mm)					Dimensión de Referencia (mm)			
		D	H	d	2α	2γ	h	h1	h2	R
S01-0060440-0.8	S01-0.8	6	4	0.2	40°	60°	0.8	0.6	0.8	1.5
S01-0080640-1.0	S01-1.0	8	6	0.2	40°	60°	1.0	0.6	1.0	2.5

2. Datos para Trefilado de Alambre de Carburo de Tungsteno para Alambres de Metal Ferroso S10

Alcance del Tamaño: 0.3~2.0mm

Parámetro de S10



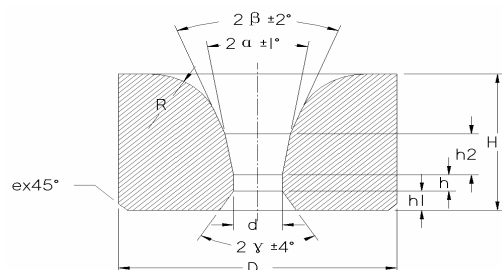
Nuevo Tipo	Tipo Antiguo	Dimensión (mm)					Dimensión de Referencia (mm)			
		D	H	d	2α	2γ	h	h1	R	e
S10-0060440-0.3	S10-0.3	6	4	0.3	40°	60°	0.6	0.8	1.5	0.5
S10-0060440-0.4	S10-0.4	6	4	0.4	40°	60°	0.6	0.8	1.5	0.5
S10-0060440-0.6	S10-0.6	6	4	0.6	40°	60°	0.8	0.8	1.5	0.5
S10-0060440-0.7	S10-0.7	6	4	0.7	40°	60°	0.9	0.8	1.5	0.5
S10-0060440-0.8	S10-0.8	6	4	0.8	40°	60°	1.0	0.8	1.5	0.5
S10-0080640-0.3	LS10-0.3-8	8	6	0.3	40°	60°	0.2	1.0	2.0	0.5
S10-0080640-0.4	LS10-0.4-8	8	6	0.4	40°	60°	0.4	1.0	2.0	0.5
S10-0080640-0.6	LS10-0.6-8	8	6	0.6	40°	60°	0.6	1.0	2.0	0.5
S10-0080640-0.8	LS10-0.8-8	8	6	0.8	40°	60°	0.8	1.0	2.0	0.5
S10-0080640-1.0		8	6	1.0	40°	60°	1.0	0.6	2.5	0.5

3. Datos para Trefilado de Alambre de Carburo de Tungsteno para Alambres de Metal

Ferroso S11

Alcance del Tamaño: 0.3mm~12mm

Parámetro de S11



Nuevo Tipo	Tipo Antiguo	Dimensión (mm)						Dimensión de Referencia (mm)				
		D	H	d	2α	2β	2γ	h	h1	h2	R	e
S11-0080612-0.3	S11-0.3	8	6	0.3	12°	40°	60°	0.3	1.0	1.2	2.0	0.5
S11-0080612-0.4	S11-0.4	8	6	0.4	12°	40°	60°	0.3	1.0	1.2	2.0	0.5
S11-0080616-0.5		8	6	0.5	16°	40°	60°	0.3	1.0	1.5	2.0	0.5
S11-0080612-0.6	S11-0.6	8	6	0.6	12°	40°	60°	0.4	1.0	1.4	2.0	0.5
S11-0080616-0.7		8	6	0.7	16°	40°	60°	0.5	1.0	1.7	2.0	0.5
S11-0080616-0.8	12-0.8	8	6	0.8	16°	40°	60°	0.6	1.0	1.8	2.0	0.5
S11-0080612-0.9		8	6	0.9	12°	40°	60°	0.6	1.0	1.8	2.0	0.5
S11-0080612-1.0	S11-1.0	8	6	1.0	12°	40°	60°	0.6	1.0	1.8	2.0	0.5
S11-0080610-1.1		8	6	1.1	10°	40°	60°	0.5	1.0	2.0	2.0	0.5
S11-0080610-1.2	11-1.2	8	6	1.2	10°	40°	60°	0.6	1.0	2.0	2.0	0.5
S11-0080610-1.4		8	6	1.4	10°	40°	60°	0.6	1.0	2.0	2.0	0.5
S11-0080610-1.6		8	6	1.6	10°	40°	60°	0.6	1.0	2.0	2.0	0.5
S11-0110816-0.7D		11	8	0.7	16°	40°	60°	0.6	1.2	2.0	4.0	1.0
S11-0110816-0.85D		11	8	0.85	16°	40°	60°	0.6	1.2	2.0	4.0	1.0
S11-0110816-0.9D		11	8	0.9	16°	40°	60°	0.6	1.2	2.0	4.0	1.0
S11-0110816-1.1D		11	8	1.1	16	40°	60°	0.8	1.2	1.2	4.0	1.0
S11-0110816-0.4D		11.5	8	0.4	16	40°	65°	0.4	1.2	2.0	4.0	1.0
S11-0110816-0.6D		11.5	8	0.6	16	40°	65°	0.4	1.2	2.0	4.0	1.0
S11-0110816-0.8D		11.5	8	0.8	16	40°	65°	0.6	1.2	2.0	4.0	1.0
S11-0110816-1.0D		11.5	8	1.0	16	40°	65°	0.8	1.2	2.0	4.0	1.0
S11-0110816-1.3D		11.5	8	1.3	16	40°	65°	0.8	1.2	2.0	4.0	1.0
S11-0110816-1.6D		11.5	8	1.6	16	40°	65°	1.0	1.2	2.0	4.0	1.0
S11-0110816-1.8D		11.5	8	1.8	16	40°	65°	1.2	1.2	2.0	4.0	1.0
S11-0110816-2.0D		11.5	8	2.0	16	40°	65°	1.2	1.2	2.0	4.0	1.0
S11-0121014-0.4	LS11-0.4-12H	12	10	0.4	14°	40°	90°	0.4	1.2	2.0	6.8	1.0
S11-0121014-0.6	LS11-0.6-12H	12	10	0.6	14°	40°	90°	0.6	1.2	2.0	6.5	1.0
S11-0121016-0.35α	LS11-0.35α	12	10	0.35	16	40°	60°	2.3	1.2	2.0	4.0	1.0
S11-0121016-0.4α	LS11-0.4α	12	10	0.4	16	40°	60°	2.3	1.2	2.0	4.0	1.0

S11-0121016-0.5 α	LS11-0.5 α	12	10	0.5	16	40°	60°	2.3	1.2	2.0	4.0	1.0
S11-0121016-0.6 α	LS11-0.6 α	12	10	0.6	16	40°	60°	2.4	1.2	2.0	4.0	1.0
S11-0120914-0.4 α	LH11-0.4-12 α	12	9	0.4	10°	40°	60°	0.6	1.2	2.0	4.0	1.0
S11-0120914-0.6 α	LH11-0.6-12 α	12	9	0.6	10°	40°	60°	0.6	1.2	2.0	4.0	1.0
S11-0121014-0.8	LS11-0.8-12H	12	10	0.8	14°	40°	90°	0.8	1.2	2.0	6.3	1.0
S11-0121014-1.0	LS11-1.0-12H	12	10	1.0	14°	40°	90°	0.8	1.2	2.0	6.1	1.0
S11-0121016-1.2	LS11-1.2-12H	12	10	1.2	16°	40°	90°	1.0	1.2	2.0	5.6	1.0
S11-0121016-1.4	LS11-1.4-12H	12	10	1.4	16°	40°	90°	1.0	1.2	2.0	5.4	1.0
S11-0121016-1.6	LS11-1.6-12H	12	10	1.6	16°	40°	90°	1.2	1.2	2.0	5.2	1.0
S11-0121016-1.8	LS11-1.8-12H	12	10	1.8	16°	40°	90°	1.2	1.2	2.0	5.1	1.0
S11-0121016-2.0	LS11-2.0-12H	12	10	2.0	16°	40°	90°	1.2	1.2	2.0	5.0	1.0
S11-0121016-2.3	LS11-2.3-12H	12	10	2.3	16°	40°	90°	1.2	1.2	2.0	4.8	1.0
S11-0131014-0.4	LS11-0.4-13F	13	10	0.4	14°	40°	60°	0.3	1.2	2.0	3.0	1.0
S11-0131012-0.4	LS11-0.4-13E	13	10	0.4	12°	42°	60°	0.3	1.2	2.0	3.0	1.0
S11-0131018-0.4	LS11-0.4-13	13	10	0.4	18°	40°	60°	0.3	1.2	2.0	3.0	1.0
S11-0131014-0.5		13	10	0.5	14°	40°	60°	0.4	1.2	2.0	4.0	1.0
S11-0131014-0.6	LS11-0.6-13F	13	10	0.6	14°	40°	60°	0.4	1.2	2.2	3.0	1.0
S11-0131012-0.6	LS11-0.6-13E	13	10	0.6	12°	42°	60°	0.4	1.2	2.2	3.0	1.0
S11-0131018-0.6	LS11-0.6-13	13	10	0.6	18°	40°	60°	0.4	1.2	2.2	3.0	1.0
S11-0131014-0.7	LS11-0.7-13F	13	10	0.7	14°	40°	60°	0.6	1.2	2.5	3.0	1.0
S11-0131012-0.7	LS11-0.7-13E	13	10	0.7	12°	42°	60°	0.6	1.2	2.2	3.0	1.0
S11-0131014-0.8	LS11-0.8-13F	13	10	0.8	14°	40°	60°	0.6	1.2	2.5	3.0	1.0
S11-0131012-0.8	LS11-0.8-13E	13	10	0.8	12°	42°	60°	0.6	1.2	2.5	3.0	1.0
S11-0131018-0.8	LS11-0.8-13	13	10	0.8	18°	40°	60°	0.6	1.2	2.5	3.0	1.0
S11-0151314-0.8	LS11-0.8-15H	15	13	0.8	14°	40°	90°	0.6	1.5	2.0	8.8	1.2
S11-0131012-0.9	LS11-0.9-13E	13	10	0.9	12°	42°	60°	0.7	1.2	2.5	3.0	1.0
S11-0131018-0.9	LS11-0.9-13	13	10	0.9	18°	40°	60°	0.7	1.2	2.5	3.0	1.0
S11-0131014-1.0	LS11-1.0-13F	13	10	1.0	14°	40°	60°	0.7	1.2	3.0	3.0	1.0
S11-0131012-1.0	LS11-1.0-13E	13	10	1.0	12°	42°	60°	0.7	1.2	3.0	3.0	1.0
S11-0131018-1.0	LS11-1.0-13	13	10	1.0	18°	40°	60°	0.7	1.2	3.0	3.0	1.0
S11-0131014-1.1	LS11-1.1-13F	13	10	1.1	14°	40°	60°	1.0	1.2	3.0	3.0	1.0
S11-0131012-1.1	LS11-1.1-13E	13	10	1.1	12°	42°	60°	1.0	1.2	3.0	3.0	1.0
S11-0131018-1.1	LS11-1.1-13	13	10	1.1	18°	40°	60°	1.0	1.2	3.0	3.0	1.0
S11-0131014-1.3	LS11-1.3-13F	13	10	1.3	14°	40°	60°	1.3	1.2	3.0	3.0	1.0
S11-0131018-1.3	LS11-1.3	13	10	1.3	18°	40°	60°	1.0	1.2	3.0	3.0	1.0
S11-0131018-1.5		13	10	1.5	18°	40°	60°	1.1	1.2	3.0	3.0	1.0
S11-0131014-1.6	LS11-1.6-13F	13	10	1.6	14°	40°	60°	1.1	1.2	3.0	3.0	1.0
S11-0131018-1.6	LS11-1.6	13	10	1.6	18°	40°	60°	1.1	1.2	3.0	3.0	1.0
S11-0131018-1.7		13	10	1.7	18°	40°	60°	1.2	1.2	4.0	4.0	1.0
S11-0131016-1.8	S11-1.8	13	10	1.8	16°	40°	60°	1.2	1.2	3.5	4.0	1.0
S11-0131018-1.8	LS11-1.8	13	10	1.8	18°	40°	60°	1.2	1.2	4.0	4.0	1.0
S11-0131018-1.9		13	10	1.9	18°	40°	60°	1.2	1.2	4.0	4.0	1.0
S11-0131016-2.0	LS11-2.0-13F	13	10	2.0	16°	40°	60°	1.2	1.2	4.0	4.0	1.0

S11-0131018-2.0	LS11-2.0	13	10	2.0	18°	40°	60°	1.2	1.2	4.0	4.0	1.0
S11-0131018-2.1		13	10	2.1	18°	40°	60°	1.4	1.2	4.0	4.0	1.0
S11-0131018-2.2		13	10	2.2	18°	40°	60°	1.4	1.2	4.0	4.0	1.0
S11-0131016-2.3	LS11-2.3-13F	13	10	2.3	16°	40°	60°	1.4	1.2	4.0	4.0	1.0
S11-0131016-2.4		13	10	2.4	16°	40°	60°	1.2	1.2	3.5	4.0	1.0
S11-0131016-2.5		13	10	2.5	16°	40°	60°	1.2	1.2	3.5	4.0	1.0
S11-0131016-2.6	S11-2.6	13	10	2.6	16°	40°	60°	1.2	2.0	3.5	3.0	1.0
S11-0151314-0.4	LS11-0.4-15H	15	13	0.4	14°	40°	90°	0.4	1.5	2.0	9.1	1.2
S11-0151314-0.6	LS11-0.6-15H	15	13	0.6	14°	40°	90°	0.6	1.5	2.0	9.0	1.2
S11-0151314-1.0	LS11-1.0-15H	15	13	1.0	14°	40°	90°	0.8	1.5	2.0	8.6	1.2
S11-0151316-1.3	LS11-1.3-15H	15	13	1.3	16°	40°	90°	1.0	1.5	2.0	8.2	1.2
S11-0151316-1.6	LS11-1.6-15H	15	13	1.3	16°	40°	90°	1.3	1.5	2.0	8.0	1.2
S11-0151316-1.8	LS11-1.8-15H	15	13	1.8	16°	40°	90°	1.3	1.5	2.0	7.8	1.2
S11-0151316-2.0	LS11-2.0-15H	15	13	2.0	16°	40°	90°	1.3	1.5	2.0	7.6	1.2
S11-0151316-2.3	LS11-2.3-15H	15	13	2.3	16°	40°	90°	1.3	1.5	2.0	7.4	1.2
S11-0151220-2.4DH		15.5	12.8	2.4	20	40°	75°	2.2	1.5	5.0	10.0	1
S11-0151316-2.8	LS11-2.8-15H	15	13	2.8	16°	40°	90°	1.5	1.5	2.0	7.0	1.2
S11-0161316-0.3	S11-0.3-16	16	13	0.3	16°	45°	60°	0.2	1.5	4.0	5.0	1.0
S11-0161316-0.4	S11-0.4-16	16	13	0.4	16°	45°	60°	0.2	1.5	4.0	5.0	1.0
S11-0161316-0.5		16	13	0.5	16°	45°	60°	0.3	1.5	4.0	5.0	1.0
S11-0161316-0.6	S11-0.6-16	16	13	0.6	16°	45°	60°	0.3	1.5	4.0	5.0	1.0
S11-0161316-0.7		16	13	0.7	16°	45°	60°	0.3	1.5	4.0	5.0	1.0
S11-0161316-0.8	S11-0.8-16	16	13	0.8	16°	45°	60°	0.4	1.5	4.0	5.0	1.0
S11-0161316-0.9		16	13	0.9	16°	45°	60°	0.4	1.5	4.0	5.0	1.0
S11-0161316-1.0	S11-1.0-16	16	13	1.0	16°	45°	60°	0.5	1.5	4.0	5.0	1.0
S11-0161316-1.1		16	13	1.1	16°	45°	60°	0.5	1.5	4.0	5.0	1.0
S11-0161316-1.2	S11-1.2-16	16	13	1.2	16°	45°	60°	0.6	1.5	4.0	5.0	1.0
S11-0161316-1.3	S11-1.3-16	16	13	1.3	16°	45°	60°	0.6	1.5	4.0	5.0	1.0
S11-0161316-1.4		16	13	1.4	16°	45°	60°	0.7	1.5	4.0	5.0	1.0
S11-0161316-1.5		16	13	1.5	16°	45°	60°	0.7	1.5	4.0	5.0	1.0
S11-0161316-1.6	S11-1.6-16	16	13	1.6	16°	45°	60°	0.8	1.5	4.0	5.0	1.0
S11-0161316-1.7		16	13	1.7	16°	45°	60°	0.8	1.5	4.0	5.0	1.0
S11-0161316-1.8	S11-1.8-16	16	13	1.8	16°	45°	60°	0.9	1.5	4.0	5.0	1.0
S11-0161316-1.9		16	13	1.9	16°	45°	60°	0.9	1.5	4.0	5.0	1.0
S11-0161316-2.0	S11-2.0-16	16	13	2.0	16°	45°	60°	1.0	1.5	4.0	5.0	1.0
S11-0161316-2.1		16	13	2.1	16°	45°	60°	1.0	1.5	4.0	5.0	1.0
S11-0161316-2.2		16	13	2.2	16°	45°	60°	1.0	1.5	4.0	5.0	1.0
S11-0161316-2.3	S11-2.3-16	16	13	2.3	16°	45°	60°	1.1	1.5	4.0	5.0	1.0
S11-0161316-2.4		16	13	2.4	16°	45°	60°	1.2	1.5	4.0	5.0	1.0
S11-0161316-2.5		16	13	2.5	16°	45°	60°	1.2	1.5	4.0	5.0	1.0
S11-0161316-2.6		16	13	2.6	16°	45°	60°	1.3	1.5	4.0	5.0	1.0
S11-0161316-2.7		16	13	2.7	16°	45°	60°	1.3	1.5	4.0	5.0	1.0
S11-0161316-2.8	S11-2.8-16	16	13	2.8	16°	45°	60°	1.4	1.5	4.0	5.0	1.0

S11-0161316-3.0	S11-3.0-16	16	13	3.0	16°	45°	60°	1.4	1.5	4.0	5.0	1.0
S11-0161318-3.2		16	13	3.2	18°	45°	60°	1.4	1.5	5.0	4.0	1.0
S11-0161418-0.4	LS11-0.4-16	16	14	0.4	18°	40°	60°	0.3	1.5	4.0	4.0	1.0
S11-0161418-0.6	LS11-0.6-16	16	14	0.6	18°	40°	60°	0.4	1.5	4.0	4.0	1.0
S11-0161418-0.8	LS11-0.8-16	16	14	0.8	18°	40°	60°	0.6	1.5	4.0	4.0	1.0
S11-0161418-0.9	LS11-0.9-16	16	14	0.9	18°	40°	60°	0.6	1.5	4.0	4.0	1.0
S11-0161418-1.0	LS11-1.0-16	16	14	1.0	18°	40°	60°	1.0	1.5	4.0	4.0	1.0
S11-0161418-1.3	LS11-1.3-16	16	14	1.3	18°	40°	60°	1.2	1.5	4.0	4.0	1.0
S11-0161418-1.6	LS11-1.6-16	16	14	1.6	18°	40°	60°	1.2	1.5	4.0	4.0	1.0
S11-0161418-1.8	LS11-1.8-16	16	14	1.8	18°	40°	60°	1.2	1.5	4.0	4.0	1.0
S11-0161418-2.0	LS11-2.0-16	16	14	2.0	18°	40°	60°	1.2	1.5	4.0	4.0	1.0
S11-0161418-2.3	LS11-2.3-16	16	14	2.3	18°	40°	60°	1.4	1.5	4.0	4.0	1.0
S11-0161418-2.5	LS11-2.5-16	16	14	2.5	18°	40°	60°	1.4	1.5	4.0	4.0	1.0
S11-0161418-2.6	LS11-2.6	16	14	2.6	18°	40°	60°	1.4	1.5	4.0	4.0	1.0
S11-0161418-2.8	LS11-2.8	16	14	2.8	18°	40°	60°	1.4	1.5	4.0	4.0	1.0
S11-0181516-1.5		17.9	15	1.5	16	40°	75°	1.5	2.0	5.0	6.0	1.5
S11-0181516-1.8		17.9	15	1.8	16	40°	75°	1.5	2.0	5.0	6.0	1.5
S11-0181516-2.0		17.9	15	2.0	16	40°	75°	1.5	2.0	5.0	6.0	1.5
S11-0181516-2.3		17.9	15	2.3	16	40°	75°	1.5	2.0	5.0	6.0	1.5
S11-0181516-2.5		17.9	15	2.5	16	40°	75°	1.5	2.0	5.0	6.0	1.5
S11-0181516-2.8		17.9	15	2.8	16	40°	75°	2.0	2.0	5.0	6.0	1.5
S11-0181518-2.8		18	15	2.8	18	40°	60°	6.7	2.0	5.5	3.0	1.0
S11-0181516-3.0		17.9	15	3.0	16	40°	75°	2.0	2.0	5.0	6.0	1.5
S11-0181518-4.5		18	15	4.5	18	40°	60°	6.7	2.0	5.5	3.0	1.0
S11-0181520-1.5D		17.9	15	1.5	20	40°	75°	2.2	2.0	-	10.0	1.5
S11-0181520-1.8D		17.9	15	1.8	20	40°	75°	2.2	2.0	-	10.0	1.5
S11-0181520-1.5D		18	15	1.5	20	40°	75°	2.2	2.0	-	10.0	1.5
S11-0181520-2.3D		18	15	2.3	20	40°	75°	2.2	2.0	-	10.0	1.5
S11-0181520-2.5D		18	15	2.5	20	40°	75°	2.2	2.0	-	10.0	1.5
S11-0181520-2.8D		18	15	2.8	20	40°	75°	3.0	2.0	-	10.0	1.5
S11-0181520-3.0D		18	15	3	20	40°	75°	3.0	2.0	-	10.0	1.5
S11-0181520-3.3D		18	15	3.3	20	40°	75°	3.0	2.0	-	10.0	1.5
S11-0181520-3.6D		18	15	3.6-	20	40°	75°	3.0	2.0	-	10.0	1.5
S11-0181520-3.8D		18	15	3.8	20	40°	75°	3.0	2.0	-	10.0	1.5
S11-0181520-4.2D		18	15	4.2	20	40°	75°	3.5	2.0	-	10.0	1.5
S11-0181520-4.7D		18	15	4.7	20	40°	75°	3.5	2.0	-	10.0	1.5
S11-0181520-5.2D		18	15	5.2	20	40°	75°	3.5	2.0	-	10.0	1.5
S11-0181520-5.7D		18	15	5.7	20	40°	75°	3.5	2.0	-	10.0	1.5
S11-0191618-1.8		19	16	1.8	18	40°	75°	2.0	2.5	5.0	8.1	1.5
S11-0191618-2.0		19	16	2.0	18	40°	75°	2.0	2.5	5.0	8.1	1.5
S11-0191618-2.3	LS11-2.3-19H	19	16	2.3	18°	40°	75°	1.2	2.5	6.0	9.6	1.5
S11-0191618-2.5	LS11-2.5-19H	19	16	2.5	18°	40°	75°	1.3	2.5	6.0	9.7	1.5
S11-0191616-2.8	LS11-2.8-19H	19	16	2.8	16°	40°	75°	1.4	2.5	6.0	9.8	1.5

S11-0191618-3.0	LS11-3.0-19H	19	16	3.0	18°	40°	75°	1.4	2.5	6.0	9.6	1.5
S11-0191616-3.3		19	16	3.3	16°	40°	75°	2.0	2.5	5.0	8.0	1.5
S11-0191616-3.6		19	16	3.6	16°	40°	75°	2.0	2.5	5.0	8.1	1.5
S11-0191616-3.8	LS11-3.8-19H	19	16	3.8	16°	40°	75°	1.7	2.5	6.0	9.0	1.5
S11-0191616-4.2		19	16	4.2	16°	40°	75°	2.0	2.5	5.0	8.2	1.5
S11-0191616-4.7		19	16	4.7	16°	40°	75°	2.0	2.5	5.0	8.5	1.5
S11-0191616-5.2	LS11-5.2-19H	19	16	5.2	16°	40°	75°	2.0	2.5	6.0	8.1	1.5
S11-0191616-5.6	LS11-5.6-19H	19	16	5.6	16°	40°	75°	2.0	2.5	6.0	8.0	1.5
S11-0191616-5.9	LS11-5.9-19H	19	16	5.9	16°	40°	75°	2.0	2.5	6.0	7.9	1.5
S11-0201716-1.4	LS11-1.4-20H	20	17	1.4	16°	40°	75°	1.1	2.5	6.0	10.1	1.5
S11-0201716-1.6	LS11-1.6-20H	20	17	1.6	16°	40°	75°	1.2	2.5	6.0	10.0	1.5
S11-0201716-1.8	LS11-1.8-20H	20	17	1.8	16°	40°	75°	1.2	2.5	6.0	10.0	1.5
S11-0201718-1.8	LS11-1.8-20F	20	17	1.8	18°	40°	60°	2.3	2.5	6.0	5.0	1.2
S11-0201718-1.9		20	17	1.9	18°	40°	60°	2.3	2.5	6.0	3.0	1.2
S11-0201716-2.0	LS11-2.0-20H	20	17	2.0	16°	40°	75°	1.5	2.5	6.0	10.0	1.5
S11-0201718-2.0	LS11-2.0-20F	20	17	2.0	18°	40°	60°	2.3	2.5	6.0	5.0	1.2
S11-0201718-2.1	S11-2.1-20	20	17	2.1	18°	40°	60°	2.3	2.5	6.0	3.0	1.2
S11-0201718-2.2		20	17	2.2	18°	40°	60°	2.3	2.5	6.0	4.0	1.2
S11-0201710-2.3	LS11-2.3-20H B	20	17	2.3	10°	40°	75°	3.0	2.5	6.0	10.0	1.5
S11-0201716-2.3	LS11-2.3-20H	20	17	2.3	16°	40°	75°	1.2	2.5	6.0	9.7	1.5
S11-0201718-2.3	LS11-2.3-20F	20	17	2.3	18°	40°	60°	2.3	2.5	6.0	5.0	1.2
S11-0201718-2.4		20	17	2.4	18°	40°	60°	2.3	2.5	7.0	5.0	1.2
S11-0201710-2.5	LS11-2.5-20H B	20	17	2.5	10°	40°	75°	3.0	2.5	6.0	10.0	1.5
S11-0201716-2.5	LS11-2.5-20H	20	17	2.5	16°	40°	75°	1.3	2.5	6.0	9.6	1.5
S11-0201718-2.5	LS11-2.5-20F	20	17	2.5	18°	40°	60°	2.3	2.5	7.0	5.0	1.2
S11-0201718-2.6		20	17	2.6	18°	40°	60°	2.3	2.5	7.0	5.0	1.2
S11-0201718-2.7		20	17	2.7	18°	40°	60°	2.3	2.5	7.0	5.0	1.2
S11-0201716-2.8	LS11-2.8-20H A	20	17	2.8	16°	40°	75°	1.5	2.5	6.0	9.8	1.5
S11-0201718-2.8	LS11-2.8-20F	20	17	2.8	18°	40°	60°	2.3	2.5	7.0	5.0	1.2
S11-0201718-3.0	LS11-3.0-20F	20	17	3.0	18°	40°	60°	2.3	2.5	7.0	5.0	1.2
S11-0201716-3.3	LS11-3.3-20H A	20	17	3.3	16°	40°	75°	1.5	2.5	6.0	9.6	1.5
S11-0201718-3.3	LS11-3.3-20F	20	17	3.3	18°	40°	60°	2.3	2.5	7.0	5.0	1.2
S11-0201718-3.5	LS11-3.5-20F	20	17	3.5	18°	40°	60°	2.3	2.5	7.0	5.0	1.2
S11-0201718-3.8	LS11-3.8-20F	20	17	3.8	18°	40°	60°	2.3	2.5	7.0	5.0	1.2
S11-0201718-4.0	LS11-4.0-20F	20	17	4.0	18°	40°	60°	2.4	2.5	7.0	5.0	1.2
S11-0201718-4.2	LS11-4.2-20F	20	17	4.2	18°	40°	60°	2.5	2.5	7.0	5.0	1.2
S11-0201718-4.5	LS11-4.5-20F	20	17	4.5	18°	40°	60°	2.5	2.5	7.0	5.0	1.2
S11-0201718-4.7	LS11-4.7-20F	20	17	4.7	18°	40°	60°	2.6	2.5	7.0	5.0	1.2
S11-0201718-5.0		20	17	5.0	18°	40°	60°	2.6	2.5	7.0	5.0	1.2

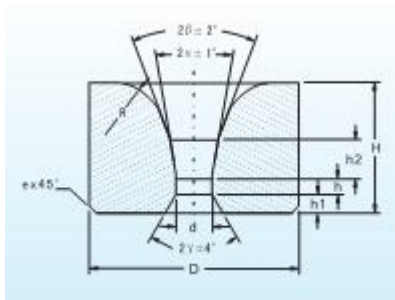
S11-0201718-5.2	LS11-5.2-20F	20	17	5.2	18°	40°	60°	2.6	2.5	7.0	5.0	1.2
S11-0201718-5.5	LS11-5.5-20F	20	17	5.5	18°	40°	60°	2.6	2.5	7.0	5.0	1.2
S11-0201716-5.7	LS11-5.7-20H	20	17	5.7	16°	40°	75°	2.0	2.5	6.0	8.0	1.5
S11-0201718-5.7	LS11-5.7-20F	20	17	5.7	18°	40°	60°	2.6	2.5	7.0	5.0	1.2
S11-0201718-6.0	LS11-6.0-20F	20	17	6.0	18°	40°	60°	2.6	2.5	7.0	5.0	1.2
S11-0211718-1.6	LS11-1.6-21F	21	17	1.6	18°	40°	60°	1.2	2.5	6.0	5.0	1.2
S11-0211718-1.8	LS11-1.8-21F	21	17	1.8	18°	40°	60°	1.2	2.5	6.0	5.0	1.2
S11-0211718-2.0	LS11-2.0-21F	21	17	2.0	18°	40°	60°	1.2	2.5	6.0	5.0	1.2
S11-0211718-2.3	LS11-2.3-21F	21	17	2.3	18°	40°	60°	1.4	2.5	6.0	5.0	1.2
S11-0211718-2.5	LS11-2.5-21F	21	17	2.5	18°	40°	60°	1.4	2.5	6.0	5.0	1.2
S11-0211718-2.8	LS11-2.8-21F	21	17	2.8	18°	40°	60°	1.4	2.5	6.0	5.0	1.2
S11-0211718-3.0	LS11-3.0-21F	21	17	3.0	18°	40°	60°	1.4	2.5	6.0	5.0	1.2
S11-0211718-3.3	LS11-3.3-21F	21	17	3.3	18°	40°	60°	1.5	2.5	7.0	5.0	1.2
S11-0211718-3.5	LS11-3.5-21F	21	17	3.5	18°	40°	60°	1.5	2.5	7.0	5.0	1.2
S11-0211718-3.8	LS11-3.8-21F	21	17	3.8	18°	40°	60°	1.6	2.5	7.0	5.0	1.2
S11-0211718-4.0	LS11-4.0-21F	21	17	4.0	18°	40°	60°	1.7	2.5	7.0	5.0	1.2
S11-0211718-4.2	LS11-4.2-21F	21	17	4.2	18°	40°	60°	1.8	2.5	7.0	5.0	1.2
S11-0211718-4.5	LS11-4.5-21F	21	17	4.5	18°	40°	60°	1.8	2.5	7.0	5.0	1.2
S11-0211718-4.7	LS11-4.7-21F	21	17	4.7	18°	40°	60°	1.8	2.5	7.0	5.0	1.2
S11-0211718-4.9	LS11-4.9-21F	21	17	4.9	18°	40°	60°	1.9	2.5	7.0	5.0	1.2
S11-0211718-5.2	LS11-5.2-21F	21	17	5.2	18°	40°	60°	2.0	2.5	8.0	5.0	1.2
S11-0211718-5.5	LS11-5.5-21F	21	17	5.5	18°	40°	60°	2.5	2.5	8.0	5.0	1.2
S11-0211718-5.7	LS11-5.7-21F	21	17	5.7	18°	40°	60°	3.0	2.5	8.0	5.0	1.2
S11-0221818-1.5	S11-1.5-22	22	18	1.5	18°	40°	60°	1.2	2.5	6.0	5.0	1.2
S11-0221818-1.6	LS11-1.6-22F	22	18	1.6	18°	40°	60°	1.4	2.5	5.0	5.0	1.2
S11-0221818-1.7	S11-1.7-22	22	18	1.7	18°	40°	60°	1.2	2.5	6.0	5.0	1.2
S11-0221818-1.7	11-1.7-22	22	18	1.7	18°	40°	60°	1.2	2.5	6.0	5.0	1.2
S11-0221818-1.8	LS11-1.8-22F	22	18	1.8	18°	40°	60°	1.4	2.5	5.0	5.0	1.2
S11-0221818-1.8	11-1.8-22	22	18	1.8	18°	40°	60°	1.2	2.5	6.0	5.0	1.2
S11-0221818-1.9	S11-1.9-22	22	18	1.9	18°	40°	60°	1.2	2.5	6.0	5.0	1.2
S11-0221818-2.0	LS11-2.0-22F	22	18	2.0	18°	40°	60°	1.4	2.5	5.0	5.0	1.2
S11-0221818-2.1		22	18	2.1	18°	40°	60°	1.2	2.5	6.0	5.0	1.2
S11-0221818-2.2		22	18	2.2	18°	40°	60°	1.2	2.5	6.0	5.0	1.2
S11-0221818-2.3	LS11-2.3-22F	22	18	2.3	18°	40°	60°	1.4	2.5	5.0	5.0	1.2
S11-0221818-2.4		22	18	2.4	18°	40°	60°	1.4	2.5	5.5	5.0	1.2
S11-0221818-2.5	LS11-2.5-22F	22	18	2.5	18°	40°	60°	1.4	2.5	5.0	5.0	1.2
S11-0201716-2.5	LS11-6.3-22H	22	18	6.3	20°	40°	75°	2.2	2.5	6.0	8.0	1.5
S11-0221818-2.6		22	18	2.6	18°	40°	60°	1.4	2.5	5.5	5.0	1.2
S11-0221818-2.7		22	18	2.7	18°	40°	60°	1.4	2.5	6.5	5.0	1.2
S11-0221818-2.8	LS11-2.8-22F	22	18	2.8	18°	40°	60°	1.4	2.5	7.0	5.0	1.2
S11-0221818-2.9		22	18	2.9	18°	40°	60°	1.4	2.5	5.5	5.0	1.2
S11-0221818-3.0	LS11-3.0-22F	22	18	3.0	18°	40°	60°	1.4	2.5	7.0	5.0	1.2
S11-0221818-3.1	LS11-3.1-22F	22	18	3.1	18°	40°	60°	1.8	2.5	7.0	5.0	1.2

S11-0221818-3.3	LS11-3.3-22F	22	18	3.3	18°	40°	60°	1.8	2.5	7.0	5.0	1.2
S11-0221818-3.5	LS11-3.5-22F	22	18	3.5	18°	40°	60°	1.8	2.5	7.0	5.0	1.2
S11-0221818-3.7		22	18	3.7	18°	40°	60°	1.8	2.5	7.0	5.0	1.2
S11-0221818-3.8	LS11-3.8-22F	22	18	3.8	18°	40°	60°	1.8	2.5	7.0	5.0	1.2
S11-0221818-4.0	LS11-4.0-22F	22	18	4.0	18°	40°	60°	1.8	2.5	7.0	5.0	1.2
S11-0221818-4.2	LS11-4.2-22F	22	18	4.2	18°	40°	60°	2.2	2.5	7.0	5.0	1.2
S11-0221818-4.5	LS11-4.5-22F	22	18	4.5	18°	40°	60°	2.2	2.5	7.0	5.0	1.2
S11-0221818-4.7	LS11-4.7-22F	22	18	4.7	18°	40°	60°	2.2	2.5	7.0	5.0	1.2
S11-0221818-5.0	LS11-5.0-22F	22	18	5.0	18°	40°	60°	2.6	2.5	7.0	5.0	1.2
S11-0221818-5.2	LS11-5.2	22	18	5.2	18°	40°	60°	2.0	2.5	6.0	5.0	1.2
S11-0221818-5.4	S11-5.4	22	18	5.4	18°	40°	60°	2.0	2.5	7.0	5.0	1.2
S11-0221814-5.5	LS11-5.5	22	18	5.5	14°	40°	60°	2.7	2.5	7.5	5.0	1.2
S11-0221818-5.7	LS11-5.7-22F	22	18	5.7	18°	40°	60°	2.6	2.5	7.0	5.0	1.2
S11-0221818-6.0	LS11-6.0-22F	22	18	6.0	18°	40°	60°	2.6	2.5	7.0	5.0	1.2
S11-0251718-6.0	LZ25-6	25	17	6.0	18°	70°	70°	1.5	3.0	6.0	2.5	2.0
S11-0251718-7.0	LZ25-7	25	17	7.0	18°	70°	70°	1.5	3.0	6.0	2.5	2.0
S11-0251718-8.0	LZ25-8	25	17	8.0	18°	70°	70°	1.5	3.0	6.0	2.5	2.0
S11-0302018-9.0	LZ30-09	30	20	9.0	18°	70°	70°	1.5	3.0	6.0	2.5	2.0
S11-0302018-10.0	LZ30-10	30	20	10.0	18°	70°	70°	1.5	3.0	6.0	2.5	2.0

4. Datos para Trefilado de Alambre de Carburo de Tungsteno para Alambres de Metal (Tipo Mejorado) S11

Alcance del Tamaño: 0.3mm~12mm

Parámetro de S11



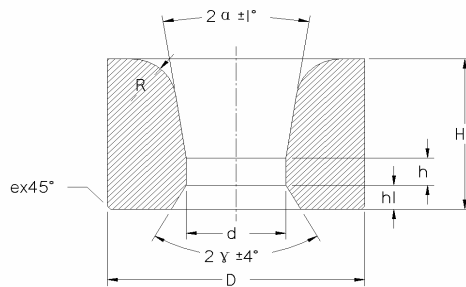
Nuevo Tipo	Tipo Antiguo	Dimensión (mm)					Dimensión de Referencia (mm)				
		D	H	d	2α	2γ	h	h1	h2	R	e
S11-0131316-1.8-2.5°		13	13	1.8	16°	60°	1.5	1.5	4.0	8.0	1.0
S11-0131316-2.0-2.5°		13	13	2.0	16°	60°	1.5	1.5	4.0	8.0	1.0
S11-0131316-2.3-2.5°		13	13	2.3	16°	60°	1.5	1.5	4.0	8.0	1.0
S11-0131316-2.6-2.5°		13	13	2.6	16°	60°	1.5	1.5	4.0	8.0	1.0
S11-0131316-3.0-2.5°		13	13	3.0	16°	60°	1.5	1.5	4.0	8.0	1.0
S11-0131316-3.2-2.5°		13	13	3.2	16°	60°	1.5	1.5	4.0	8.0	1.0

S11-0131316-3.7-2.5°		13	13	3.7	16°	60°	2.0	1.5	4.0	8.0	1.0
S11-0131316-4.2-2.5°		13	13	4.2	16°	60°	2.0	1.5	4.0	8.0	1.0
S11-0131316-4.7-2.5°		13	13	4.7	16°	60°	2.0	1.5	4.0	8.0	1.0
S11-0131316-5.2-2.5°		13	13	5.2	16°	60°	2.0	1.5	4.0	8.0	1.0
S11-0161516-5.5-2.5°		16	15	5.5	16°	60°	2.0	1.5	4.0	8.0	1.0
S11-0161516-6.0-2.5°		16	15	6.0	16°	60°	3.0	1.5	5.0	10.0	1.0
S11-0161518-6.8-2.5°		16	15	6.8	16°	60°	3.0	1.5	5.0	10.0	1.0
S11-0161618-7.8-2.5°		16	16	7.8	16°	60°	3.0	1.5	5.0	10.0	1.0

5. Datos para Trefilado de Alambre de Carburo de Tungsteno para Alambres de Metal Tipo W

Alcance del Tamaño: 0.3mm~25mm

Parámetro de Tipo W



Nuevo Tipo	Tipo Antiguo	Dimensión (mm)					Dimensión de Referencia (mm)					
		D	H	d	2α	2γ	h	h1	R	D1	e	ε
W-0060412-0.2		6	4	0.2	12°	90°	≤0.1	0.8	2.8	4.2	0.8	45°
W-0060412-0.25		6	4	0.25	12°	90°	≤0.1	0.8	2.8	4.2	0.8	45°
W-0060412-0.3		6	4	0.3	12°	90°	≤0.1	0.8	2.8	4.2	0.8	45°
W-0060412-0.35		6	4	0.35	12°	90°	≤0.1	0.8	2.8	4.2	0.8	45°
W-0060412-0.4		6	4	0.4	12°	90°	≤0.1	0.8	2.8	4.2	0.8	45°
W-0080612-0.5		8	6	0.5	12°	90°	≤0.1	1.0	4.5	5.8	1.0	45°
W-0080612-0.6		8	6	0.6	12°	90°	≤0.1	1.0	4.3	5.8	1.0	45°
W-0080612-0.7		8	6	0.7	12°	90°	≤0.1	1.0	4.3	5.9	1.0	45°
W-0080612-0.8		8	6	0.8	12°	90°	≤0.1	1.0	4.2	5.9	1.0	45°
W-0080612-0.9		8	6	0.9	12°	90°	≤0.1	1.0	4.2	6.0	1.0	45°
W-0080612-1.0		8	6	1.0	12°	90°	≤0.1	1.0	4.0	6.0	1.0	45°
W-0090612-0.5		9	6	0.5	12°	90°	≤0.1	1.0	4.3	6.6	1.2	45°
W-0090612-0.6		9	6	0.6	12°	90°	≤0.1	1.0	4.2	6.6	1.2	45°
W-0090612-0.7		9	6	0.7	12°	90°	≤0.1	1.0	4.2	6.8	1.2	45°
W-0090612-0.8		9	6	0.8	12°	90°	≤0.1	1.0	4.2	6.8	1.2	45°

W-0090612-0.9		9	6	0.9	12°	90°	≤0.1	1.0	4.2	6.8	1.2	45°
W-0090612-1.0		9	6	1.0	12°	90°	≤0.1	1.0	4.0	7.0	1.2	45°
W-0090612-1.1		9	6	1.1	12°	90°	≤0.1	1.0	4.0	7.0	1.2	45°
W-0090612-1.2		9	6	1.2	12°	90°	≤0.1	1.0	4.0	7.0	1.2	45°
W-0090612-1.3		9	6	1.3	12°	90°	≤0.1	1.0	4.0	7.0	1.2	45°
W-0090612-1.4		9	6	1.4	12°	90°	≤0.1	1.0	4.0	7.0	1.2	45°
W-0090612-1.5		9	6	1.5	12°	90°	≤0.1	1.0	4.0	7.0	1.2	45°
W-0120612-0.2	W103-0.2	12	6	0.2	12°	60°	≤0.1	0.8	5.2	8.5	1.2	45°
W-0120812-0.25	W103-0.25	12	8	0.25	12°	60°	≤0.1	0.8	5.2	8.5	1.2	45°
W-0120812-0.3	W103-0.3	12	8	0.3	12°	60°	≤0.1	0.8	5.2	8.5	1.2	45°
W-0120812-0.4	W103-0.4	12	8	0.4	12°	60°	≤0.1	0.8	5.2	8.5	1.2	45°
W-0120814-0.6	W103-0.6	12	8	0.6	14°	60°	1.5	0.8	4.1	4.3	1.5	45°
W-0120814-0.7		12	8	0.7	14°	60°	1.5	0.8	4.1	4.3	1.5	45°
W-0120814-0.8	W103-0.80	12	8	0.8	14°	60°	1.5	0.8	6.0	8.2	1.5	45°
W-0120814-0.9		12	8	0.9	14°	60°	1.5	0.8	6.0	8.2	1.5	45°
W-0120814-1.0	W103-1.0	12	8	1.0	14°	60°	1.5	0.8	6.0	8.2	1.5	45°
W-0120814-1.1		12	8	1.1	14°	60°	1.5	0.8	6.0	8.6	1.5	45°
W-0120814-1.2		12	8	1.2	14°	60°	1.5	0.8	6.0	8.6	1.5	45°
W-0120814-1.3	W103-1.3	12	8	1.3	14°	60°	1.0	1.0	6.0	9.0	1.5	45°
W-0120814-1.4		12	8	1.4	14°	60°	1.0	1.0	6.0	9.0	1.5	45°
W-0120814-1.5		12	8	1.5	14°	60°	1.0	1.0	6.0	9.0	1.5	45°
W-0120814-1.6	W103-1.6	12	8	1.6	14°	60°	1.2	1.0	5.4	9.0	1.5	45°
W-0151014-1.0	W104-1.0	15	10	1.0	14°	60°	1.5	1.2	7.0	8.2	1.2	45°
W-0151014-1.1		15	10	1.1	14°	60°	1.5	1.2	7.0	8.2	1.2	45°
W-0151014-1.2	W104-1.2	15	10	1.2	14°	60°	1.5	1.2	7.0	8.2	1.5	45°
W-0151014-1.3		15	10	1.3	14°	60°	1.5	1.2	7.0	8.2	1.2	45°
W-0151014-1.4	W104-1.4	15	10	1.4	14°	60°	1.5	1.2	7.0	8.2	1.5	45°
W-0151014-1.5		15	10	1.5	14°	60°	1.5	1.2	7.0	8.6	1.2	45°
W-0151014-1.6	W104-1.6	15	10	1.6	14°	60°	1.5	1.2	7.0	9.0	1.2	45°
W-0151014-1.7		15	10	1.7	14°	60°	1.5	1.2	7.0	9.0	1.2	45°
W-0151014-1.8	LW104-1.8	15	10	1.8	14°	60°	1.1	1.5	6.0	12.0	1.5	45°
W-0151014-1.9		15	10	1.9	14°	60°	1.5	1.2	7.0	9.0	1.2	45°
W-0151014-2.0	LW104-2.0	15	10	2.0	14°	60°	1.1	1.5	6.0	12.0	1.5	45°
W-0151014-2.1		15	10	2.1	14°	60°	1.5	1.2	7.0	11.0	1.2	45°
W-0151014-2.2	LW104-2.2	15	10	2.2	14°	60°	1.1	1.5	6.0	12.0	1.5	45°
W-0151014-2.3	W104-2.3	15	10	2.3	14°	60°	1.1	1.0	6.0	12.0	1.5	45°
W-0151014-2.4	LW104-2.4	15	10	2.4	14°	60°	1.1	1.5	6.0	12.0	1.5	45°
W-0151014-2.5	W104-2.5	15	10	2.5	14°	60°	1.1	1.2	6.0	12.0	1.5	45°
W-0151014-2.6	LW104-2.6	15	10	2.6	14°	60°	1.4	1.5	6.0	12.0	1.5	45°
W-0151014-2.7		15	10	2.7	14°	60°	1.4	1.2	6.0	12.0	1.5	45°
W-0151014-2.8	LW104-2.8	15	10	2.8	14°	60°	1.4	1.5	6.0	12.0	1.5	45°
W-0151014-2.9		15	10	2.9	14°	60°	1.4	1.2	6.0	12.0	1.5	45°

W-0151014-3.0	LW104-3.0	15	10	3.0	14°	60°	1.4	1.8	6.0	12.0	1.5	45°
W-0151014-3.2	W104-3.2	15	10	3.2	14°	60°	1.5	1.2	6.0	12.0	1.5	45°
W-0151014-3.4	LW104-3.4	15	10	3.4	14°	60°	1.6	1.8	6.0	12.0	1.5	45°
W-0151014-3.5	W104-3.5	15	10	3.5	14°	60°	1.6	1.8	6.0	12.0	1.5	45°
W-0151014-3.6	LW104-3.6	15	10	3.6	14°	60°	1.6	1.8	6.0	12.0	1.5	45°
W-0151014-3.8	LW104-3.8	15	10	3.8	14°	60°	1.6	1.8	6.0	12.0	1.5	45°
W-0191314-1.2H		19	13.5	1.2	14°	60°	2.0	1.6	9.0	13.0	1.5	45°
W-0191314-1.5H		19	13.5	1.5	14°	60°	2.0	1.6	9.0	13.0	1.5	45°
W-0191314-1.8H		19	13.5	1.8	14°	60°	2.0	1.6	9.0	13.0	1.5	45°
W-0191314-2.0H		19	13.5	2.0	14°	60°	2.0	1.6	9.0	13.0	1.5	45°
W-0191314-2.3H		19	13.5	2.3	14°	60°	2.0	1.6	9.0	13.0	1.5	45°
W-0191314-2.5H		19	13.5	2.5	14°	60°	2.0	1.6	9.0	13.0	1.5	45°
W-0191314-2.8H		19	13.5	2.8	14°	60°	2.0	1.6	9.0	16.0	1.5	45°
W-0191314-3.0H		19	13.5	3	14°	60°	2.0	1.6	9.0	16.0	1.5	45°
W-0201414-1.1	W105-1.1	20	14	1.1	14°	60°	2.0	1.6	9.0	13.2	1.5	45°
W-0201414-1.2	W105-1.2	20	14	1.2	14°	60°	2.0	1.6	9.0	13.2	1.5	45°
W-0201414-1.3		20	14	1.3	14°	60°	2.0	1.6	9.0	13.2	1.5	45°
W-0201414-1.4	W105-1.4	20	14	1.4	14°	60°	2.0	1.6	9.0	13.2	1.5	45°
W-0201414-1.5		20	14	1.5	14°	60°	2.0	1.6	9.0	13.2	1.5	45°
W-0201414-1.6		20	14	1.6	14°	60°	2.0	1.6	9.0	13.2	1.5	45°
W-0201414-1.7	W105-1.1	20	14	1.7	14°	60°	2.0	1.6	9.0	13.2	1.5	45°
W-0201414-1.8		20	14	1.8	14°	60°	2.0	1.6	9.0	13.2	1.5	45°
W-0201414-1.9		20	14	1.9	14°	60°	2.0	1.6	9.0	13.2	1.5	45°
W-0201414-2.0	W105-2.0	20	14	2.0	14°	60°	2.0	1.6	9.0	13.2	1.5	45°
W-0201414-2.1		20	14	2.1	14°	60°	2.0	1.6	9.0	13.2	1.5	45°
W-0201414-2.2		20	14	2.2	14°	60°	2.0	1.6	9.0	13.2	1.5	45°
W-0201414-2.3	W105-2.3	20	14	2.3	14°	60°	2.0	1.6	9.0	13.2	1.5	45°
W-0201414-2.4		20	14	2.4	14°	60°	2.0	1.6	9.0	13.2	1.5	45°
W-0201414-2.5		20	14	2.5	14°	60°	2.0	1.6	9.0	13.2	1.5	45°
W-0201414-2.6		20	14	2.6	14°	60°	2.0	1.6	9.0	13.2	1.5	45°
W-0201414-2.7		20	14	2.7	14°	60°	2.0	1.6	9.0	13.2	1.5	45°
W-0201414-2.8		20	14	2.8	14°	60°	2.0	1.6	9.0	13.2	1.5	45°
W-0201414-2.9		20	14	2.9	14°	60°	2.0	1.6	9.0	13.2	1.5	45°
W-0201414-3.0	W105-3.0	20	14	3.0	14°	60°	2.0	1.6	9.0	13.2	1.5	45°
W-0201414-3.2		20	14	3.2	14°	60°	2.0	1.6	9.0	13.2	1.5	45°
W-0201414-3.4	W105-3.4	20	14	3.4	14°	60°	2.0	1.6	9.0	13.2	1.5	45°
W-0201414-3.6	W105-3.6	20	14	3.6	14°	60°	2.0	1.6	9.0	13.2	1.5	45°
W-0201414-3.8	LW105-3.8	20	14	3.8	14°	60°	1.5	2.0	9.0	15.0	1.1	45°
W-0201414-4.0	LW105-4.0	20	14	4.0	14°	60°	1.6	2.0	9.0	15.0	1.1	45°
W-0201414-4.2	LW105-4.2	20	14	4.2	14°	60°	1.7	2.0	9.0	15.0	1.1	45°
W-0201416-4.4	LW105-4.4	20	14	4.4	16°	60°	1.8	2.5	8.0	17.0	1.1	45°
W-0201416-4.6	LW105-4.6	20	14	4.6	16°	60°	1.9	2.5	8.0	17.0	1.1	45°
W-0201416-4.8	LW105-4.8	20	14	4.7	16°	60°	1.9	2.5	8.0	17.0	1.1	45°

W-0201416-5.0	LW105-5.0	20	14	5.0	16°	60°	2.1	2.5	8.0	17.0	1.1	45°
W-0201416-5.3		20	14	5.3	16°	60°	2.4	1.0	5.6	17.0	2.0	45°
W-0201416-5.5	LW105-5.5	20	14	5.5	16°	60°	2.2	2.5	8.0	17.0	1.1	45°
W-0201416-5.7	LW105-5.7	20	14	5.7	16°	60°	2.3	2.5	8.0	17.0	1.1	45°
W-0241614-3.7H		24	16.5	3.7	14°	60°	3.2	2.0	9.0	20.0	1.5	45°
W-0241614-4.2H		24	16.5	4.2	14°	60°	3.2	2.0	9.0	20.0	1.5	45°
W-0241614-5.3H		24	16.5	5.3	14°	60°	3.2	2.0	12.0	20.0	1.5	45°
W-0241614-5.7H		24	16.5	5.7	14°	60°	3.2	2.0	12.0	20.0	1.5	45°
W-0241614-6.0H		24	16.5	6.0	14°	60°	3.2	2.0	12.0	20.0	1.5	45°
W-0241614-6.5H		24	16.5	6.5	14°	60°	3.2	2.0	12.0	20.0	1.5	45°
W-0241614-6.7H		24	16.5	6.7	14°	60°	3.2	2.0	12.0	20.0	1.5	45°
W-0241614-7.0H		24	16.5	7.0	14°	60°	3.2	2.0	12.0	20.0	1.5	45°
W-0241614-7.3H		24	16.5	7.3	14°	60°	3.2	2.0	12.0	20.0	1.5	45°
W-0241614-7.5H		24	16.5	7.5	14°	60°	3.2	2.0	12.0	20.0	1.5	45°
W-0241614-7.7H		24	16.5	7.7	14°	60°	3.2	2.0	12.0	20.0	1.5	45°
W-0241614-8.0H		24	16.5	8.0	14°	60°	3.2	2.0	12.0	20.0	1.5	45°
W-0241614-8.5H		24	16.5	8.5	14°	60°	3.2	2.0	12.0	20.0	1.5	45°
W-0251814-3.0	W106-3.0	25	18	3.0	14°	60°	3.2	2.0	12.0	17.5	2.0	45°
W-0251814-3.2		25	18	3.2	14°	60°	3.2	2.0	12.0	17.5	2.0	45°
W-0251814-3.4		25	18	3.4	14°	60°	3.2	2.0	12.0	17.5	2.0	45°
W-0251814-3.6		25	18	3.6	14°	60°	3.2	2.0	12.0	17.5	2.0	45°
W-0251814-3.8		25	18	3.8	14°	60°	3.2	2.0	12.0	17.5	2.0	45°
W-0251814-4.0		25	18	4.0	14°	60°	3.2	2.0	12.0	17.5	2.0	45°
W-0251814-4.2	W106-4.2	25	18	4.2	14°	60°	3.2	2.0	12.0	17.5	2.0	45°
W-0251814-4.5		25	18	4.5	14°	60°	3.2	2.0	12.0	17.5	2.0	45°
W-0251814-4.8		25	18	4.8	14°	60°	3.2	2.0	12.0	17.5	2.0	45°
W-0251814-5.1		25	18	5.1	14°	60°	3.2	2.0	12.0	17.5	2.0	45°
W-0251814-5.4		25	18	5.4	14°	60°	3.2	2.0	12.0	17.5	2.0	45°
W-0251814-5.5	W106-5.5	25	18	5.5	14°	60°	3.2	2.0	12.0	17.5	2.0	45°
W-0251814-5.8		25	18	5.8	14°	60°	3.0	2.5	12.0	18.0	2.0	45°
W-0251814-6.0	LW106-6.0	25	18	6.0	14°	60°	3.2	2.0	12.0	17.5	2.0	45°
W-0251816-6.8		25	18	6.8	16°	60°	3.1	2.3	12.0	18.0	2.0	45°
W-0251816-7.3	W106-7.3	25	18	7.3	16°	60°	3.2	2.0	12.0	17.5	2.0	45°
W-0251816-7.7	W106-7.7	25	18	7.7	16°	60°	3.2	2.0	12.0	17.5	2.0	45°
W-0251816-9.0	LW106-9.0	25	18	9.0	16°	60°	3.2	2.0	12.0	17.5	2.0	45°
W-0302216-7.7	W107-7.7	30	22	7.7	16°	60°	4.5	2.0	14.5	20.5	2.0	45°
W-0302216-9.0	W107-9.0	30	22	9.0	16°	60°	3.4	2.9	14.6	26.0	2.0	45°
W-0302216-10.0	W107-10.0	30	22	10.0	16°	60°	3.6	2.7	14.4	26.0	2.0	45°
W-0302216-10.5	W107-10.5	30	22	10.5	16°	60°	3.6	2.7	14.4	26.0	2.0	45°
W-0302216-11.0	W107-11.0	30	22	11.0	16°	60°	3.7	2.6	14.3	26.0	2.0	45°

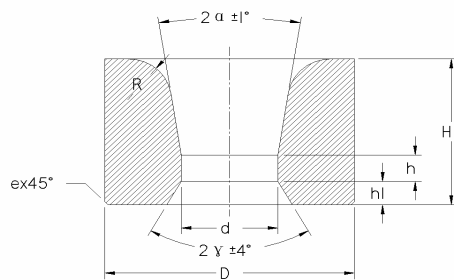
W-0352516-6.7	W108-6.7	35	25	6.7	16°	60°	4.5	2.0	14.5	23.5	2.0	45°
W-0352516-7.0		35	25	7.0	16°	60°	2.5	3.5	14.5	25.0	2.0	45°
W-0352516-7.5		35	25	7.5	16°	60°	2.5	3.5	14.5	25.0	2.0	45°
W-0352516-7.7	W108-7.7	35	25	7.7	16°	60°	2.5	3.5	14.0	25.0	3.0	45°
W-0352516-8.2	W108-8.2	35	25	8.2	16°	60°	2.5	3.5	14.0	25.0	3.0	45°
W-0352516-8.7	W108-8.7	35	25	8.7	16°	60°	2.5	3.5	14.0	25.0	3.0	45°
W-0352516-9.3	W108-9.3	35	25	9.3	16°	60°	2.8	3.5	14.0	25.0	3.0	45°
W-0352516-9.8	W108-9.8	35	25	9.8	16°	60°	2.8	3.5	14.0	25.0	3.0	45°
W-0352516-10.0	LW106-10	35	25	10.0	16°	60°	3.0	3.5	14.0	25.0	3.0	45°
W-0352516-10.5	W108-10.5	35	25	10.5	16°	60°	3.2	3.5	14.0	25.0	3.0	45°
W-0352516-11.0	W108-11	35	25	11.0	16°	60°	3.6	3.5	14.0	25.0	3.0	45°
W-0352516-11.5	W108-11.5	35	25	11.5	16°	60°	3.6	3.5	14.0	25.0	3.0	45°
W-0352516-12.0	LW106-12	35	25	12.0	16°	60°	3.5	3.5	14.0	25.0	3.0	45°
W-0352516-12.5	W108-12.5	35	25	12.5	16°	60°	3.6	3.5	14.0	51.0	3.0	45°
W-0502818-17.7	W110-17.7	50	28	17.7	18°	60°	10.0	5.0	7.0	-	1.5	45°
W-0502824-18.3	W110-18.3	50	28	18.3	24°	60°	7.0	5.0	6.5	-	1.5	45°
W-0532820-25.5		53	28	25.5	20°	60°	6.0	5.0	9.6	-	2.0	45°
W-0532820-26.5		53	28	26.5	20°	60°	6.0	5.0	9.6	-	2.0	45°
W-0532820-27.5		53	28	27.5	20°	60°	6.0	5.0	9.6	-	2.0	45°
W-0532820-28.5		53	28	28.5	20°	60°	6.0	5.0	9.6	-	2.0	45°
W-0573023-24.5		57	30	24.5	23°	60°	6.0	5.0	11.0	-	2.0	45°
W-0573023-26.5		57	30	26.5	23°	60°	6.0	5.0	11.0	-	2.0	45°
W-0573023-28.5		57	30	28.5	23°	60°	6.0	5.0	11.0	-	2.0	45°
W-0573023-25.5		57	30	25.5	23°	60°	6.0	5.0	11.0	-	2.0	45°
W-0573023-27.5		57	30	27.5	23°	60°	6.0	5.0	11.0	-	2.0	45°

W-0573023-29.5		57	30	29. 5	23°	60°	6.0	5.0	11.0	-	2.0	45°
W-0583220-30.5		58	32	30. 5	20°	60°	7.0	5.0	9.8	51	2.0	45°
W-0583220-31.5		58	32	31. 5	20°	60°	7.0	5.0	9.8	51	2.0	45°
W-0583220-32.5		58	32	32. 5	20°	60°	7.0	5.0	9.8	51	2.0	45°
W-0583220-33.5		58	32	33. 5	20°	60°	7.0	5.0	9.8	48	2.0	45°
W-0583322-24.5	W13-24.5	58	33	24. 0	22°	60°	6.0	6.0	14.0	51	3.0	45°

6. Datos para Trefilado de Alambre de Carburo de Tungsteno para Alambres de Metal Tipo W1

Alcance del Tamaño: 0.5mm~20mm

Parámetro de Tipo W1



Nuevo Tipo	Tipo Antiguo	Dimensión (mm)						Dimensión de Referencia (mm)				
		D	H	d	2α	2β	2γ	h	h1	h2	R	E
W1-0120810-0.5	W103 Ø 0.5	12	8	0.5	10°	90°	60°	0.3	1.2	2.0	2.0	1.0
W1-0120810-0.8	W103 Ø 0.8	12	8	0.8	10°	90°	60°	0.6	1.2	2.3	2.0	1.0
W1-0120810-1.0	W103 Ø 1.0	12	8	1.0	10°	90°	60°	0.7	1.6	3.6	2.0	1.0
W1-0120810-1.2	W103 Ø 1.2	12	8	1.2	10°	90°	60°	0.8	1.8	3.4	2.0	1.0
W1-0120810-2.0	W103 Ø 2.0	12	8	2.0	10°	90°	60°	1.2	1.6	3.6	2.0	1.0
W1-0120810-2.2	W103 Ø 2.2	12	8	2.2	10°	90°	60°	1.2	1.6	3.6	2.0	1.0
W1-0120810-2.5	W103 Ø 2.5	12	8	2.5	10°	90°	60°	1.2	1.6	3.6	2.0	1.0
W1-0151012-0.8	W104 Ø 0.8	15	10	0.8	12°	60°	60°	0.6	2.5	4.2	2.0	1.0
W1-0151012-1.2	W104 Ø 1.2	15	10	1.2	12°	60°	60°	1.0	2.0	4.8	2.0	1.0
W1-0151012-1.8	W104 Ø 1.8	15	10	1.8	12°	60°	60°	1.2	2.0	4.8	2.0	1.0
W1-0151012-2.6	W104 Ø 2.6	15	10	2.6	12°	60°	60°	1.3	2.0	4.5	3.0	1.0
W1-0151012-3.0	W104 Ø 3.0	15	10	3.0	12°	60°	60°	1.4	2.0	4.5	3.0	1.0
W1-0201414-1.2	W105 Ø 1.2	20	14	1.2	14°	60°	60°	0.8	3.0	6.5	3.0	1.0
W1-0201414-1.4	W105 Ø 1.4	20	14	1.4	14°	60°	60°	1.0	3.0	6.5	3.0	1.0

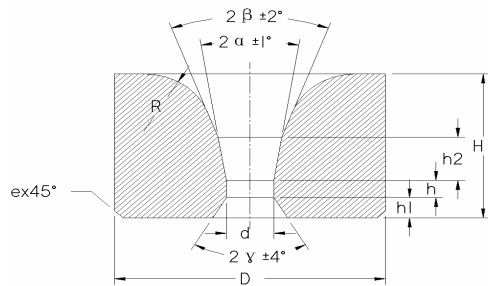
W1-0201414-1.8	W105 \varnothing 1.8	20	14	1.8	14°	60°	60°	1.2	3.0	6.5	3.0	1.0
W1-0201414-2.0	W105 \varnothing 2.0	20	14	2.0	14°	60°	60°	1.4	3.0	6.0	3.0	1.0
W1-0201414-2.2	W105 \varnothing 2.2	20	14	2.2	14°	60°	60°	1.2	3.0	6.0	3.0	1.0
W1-0201414-2.4	W105 \varnothing 2.4	20	14	2.4	14°	60°	60°	1.3	3.0	6.0	3.0	1.0
W1-0201414-3.2	W105 \varnothing 3.2	20	14	3.2	14°	60°	60°	1.6	3.0	6.5	3.0	1.0
W1-0201414-3.4	W105 \varnothing 3.4	20	14	3.4	14°	60°	60°	1.6	3.0	6.5	3.0	1.0
W1-0201414-3.6	W105 \varnothing 3.6	20	14	3.6	14°	60°	60°	1.7	3.0	7.0	3.0	1.0
W1-0201414-3.8	W105 \varnothing 3.8	20	14	3.8	14°	60°	60°	1.9	3.0	7.0	3.0	1.0
W1-0201414-4.0	W105 \varnothing 4.0	20	14	4.0	14°	60°	60°	1.9	3.0	7.0	3.0	1.0
W1-0201414-4.2	W105 \varnothing 4.2	20	14	4.2	14°	60°	60°	1.9	3.0	7.0	3.0	1.0
W1-0201414-4.6	W105 \varnothing 4.6	20	14	4.6	14°	60°	60°	1.9	3.0	7.0	3.0	1.0
W1-0201414-4.8	W105 \varnothing 4.8	20	14	4.8	14°	60°	60°	1.9	3.0	7.0	3.0	1.0
W1-0201414-5.0	W105 \varnothing 5.0	20	14	5.0	14°	60°	60°	2.0	3.0	7.0	3.0	1.0
W1-0201414-5.2	W105 \varnothing 5.2	20	14	5.2	14°	60°	60°	2.0	3.0	7.0	3.0	1.0
W1-0201414-5.5	W105 \varnothing 5.5	20	14	5.5	14°	60°	60°	2.0	3.0	7.0	3.0	1.0
W1-0251814-5.4	W106 \varnothing 5.4	25	18	5.4	14°	60°	60°	2.0	4.0	7.5	5.0	1.2
W1-0251814-5.6	W106 \varnothing 5.6	25	18	5.6	14°	60°	60°	2.4	4.0	7.5	5.0	1.2
W1-0251814-6.0	W106 \varnothing 6.0	25	18	6.0	14°	60°	60°	2.6	4.0	7.5	5.0	1.2
W1-0251814-6.6	W106 \varnothing 6.6	25	18	6.6	14°	60°	60°	2.6	4.0	7.5	5.0	1.2
W1-0251814-7.0	W106 \varnothing 7.0	25	18	7.0	14°	60°	60°	2.6	4.0	7.5	5.0	1.2
W1-0251814-7.6	W106 \varnothing 7.6	25	18	7.6	14°	60°	60°	2.6	4.0	7.5	5.0	1.2
W1-0302216-8.2	W107 \varnothing 8.2	30	22	8.2	16°	60°	60°	3.1	5.0	8.5	5.0	1.2
W1-0302216-8.8	W107 \varnothing 8.8	30	22	8.8	16°	60°	60°	3.3	5.0	8.5	5.0	1.2
W1-0302216-9.6	W107 \varnothing 9.6	30	22	9.6	16°	60°	60°	3.5	5.0	8.5	5.0	1.2
W1-0352516-10.6	W108 \varnothing 10.6	35	25	10.6	16°	60°	60°	3.5	5.0	8.5	5.0	1.2
W1-0352516-11.0	W108 \varnothing 11.0	35	25	11.0	16°	60°	60°	3.5	5.0	8.5	5.0	1.2
W1-0352516-11.2	W108 \varnothing 11.2	35	25	11.2	16°	60°	60°	3.8	5.0	8.5	5.0	1.2
W1-0352516-11.6	W108 \varnothing 11.6	35	25	11.6	16°	60°	60°	3.8	5.0	8.5	5.0	1.2
W1-0352516-12.2	W108 \varnothing 12.2	35	25	12.2	16°	60°	60°	3.8	5.0	8.5	5.0	1.2
W1-0402716-13.0	W109 \varnothing 13.0	40	27	13.0	16°	60°	60°	4.0	5.0	11	6.0	1.5
W1-0503016-16.0	W109 \varnothing 16.0	50	30	16.0	16°	60°	60°	5.0	5.0	13	6.5	1.5

7. Datos para Trefilado de Alambre de Carburo de Tungsteno para Alambres de Metal Tipo

V

Alcance del Tamaño: 0.5mm~20mm

Parámetro de Tipo V



Nuevo Tipo	Tipo Antiguo	Dimensión (mm)					Dimensión de Referencia (mm)					
		D	H	d	2α	2γ	h	h1	h2	R	D1	e
V-0151316-0.6	V15-0.6-16	15	13	0.6	16°	75°	0.4	2.0	3.2	1.2	12.0	1.0
V-0151316-0.7		15	13	0.7	16°	75°	0.4	2.0	3.2	1.2	12.0	1.0
V-0151316-0.8	V15-0.8-16	15	13	0.8	16°	75°	0.6	2.0	3.2	1.2	12.0	1.0
V-0151316-0.9		15	13	0.9	16°	75°	0.6	2.0	3.3	1.2	12.0	1.0
V-0151316-1.0	V15-1.0-16	15	13	1.0	16°	75°	0.7	2.0	3.5	1.2	12.0	1.0
V-0151316-1.1	V15-1.1-16	15	13	1.1	16°	75°	0.7	2.0	3.5	1.2	12.0	1.0
V-0151316-1.2		15	13	1.2	16°	75°	0.8	2.0	3.8	1.2	12.0	1.0
V-0151312-1.3	V15-1.3	15	13	1.3	12°	85°	1.0	2.0	4.0	—	12.0	1.2
V-0151316-1.4		15	13	1.4	16°	75°	1.0	2.0	4.0	1.2	12.0	1.0
V-0151316-1.5		15	13	1.5	16°	75°	1.1	2.0	4.0	1.2	12.0	1.0
V-0151312-1.6	V15-1.6	15	13	1.6	12°	85°	1.2	2.0	4.0	—	12.0	1.2
V-0151316-1.6	V15-1.6-16	15	13	1.6	16°	75°	1.2	2.0	4.0	1.2	12.0	1.0
V-0151316-1.7		15	13	1.7	16°	75°	1.2	2.0	4.2	1.2	12.0	1.0
V-0151316-1.8	LV15-1.8-16	15	13	1.8	16°	75°	1.2	2.0	4.5	1.2	12.0	1.0
V-0151316-1.9		15	13	1.9	16°	75°	1.2	2.0	4.5	1.2	12.0	1.0
V-0151316-2.0	LV15-2.0-16	15	13	2.0	16°	75°	1.3	2.0	4.5	1.2	12.0	1.0
V-0151316-2.1		15	13	2.1	16°	75°	1.3	2.0	4.8	1.2	12.0	1.0
V-0151316-2.2		15	13	2.2	16°	75°	1.3	2.0	4.8	1.2	12.0	1.0
V-0151316-2.3	V15-2.3-16	15	13	2.3	16°	75°	1.3	2.0	5.0	1.2	12.0	1.0
V-0151316-2.4		15	13	2.4	16°	75°	1.3	2.0	5.0	1.2	12.0	1.0
V-0151316-2.5		15	13	2.5	16°	75°	1.3	2.0	5.0	1.2	12.0	1.0
V-0151316-2.6	15-2.6-16	15	13	2.6	16°	75°	1.3	2.0	5.0	1.2	12.0	1.0
V-0151316-2.7		15	13	2.7	16°	75°	1.3	2.0	5.0	1.2	12.0	1.0
V-0151316-2.8	V15-2.8-16	15	13	2.8	16°	75°	1.4	2.0	5.0	1.2	12.0	1.0
V-0151316-2.9		15	13	2.9	16°	75°	1.4	2.0	5.0	1.2	12.0	1.0
V-0151316-3.0	LV15-3.0-16	15	13	3.0	16°	75°	1.5	2.0	5.0	1.2	12.0	1.0
V-0151316-3.2		15	13	3.2	16°	75°	1.5	2.0	5.3	1.2	12.0	1.0
V-0151316-3.3	V15-3.3-16	15	13	3.3	16°	75°	1.5	2.0	5.0	1.2	12.0	1.0
V-0151316-3.5		15	13	3.5	16°	75°	1.6	2.0	5.5	1.2	12.0	1.0
V-0151316-3.6	V15-3.6-16	15	13	3.6	16°	75°	1.7	2.0	5.5	1.2	12.0	1.0
V-0151314-3.8		15	13	3.8	14°	70°	1.7	2.0	5.5	1.2	12.0	1.2
V-0151314-3.9	V15-3.9-16	15	13	3.9	14°	70°	1.8	2.0	5.5	1.2	12.0	1.0
V-0171512-2.5R	V17-2.5-15R	17	15	2.5	12°	60°	2.0	2.5	4.7	12	-	1.0

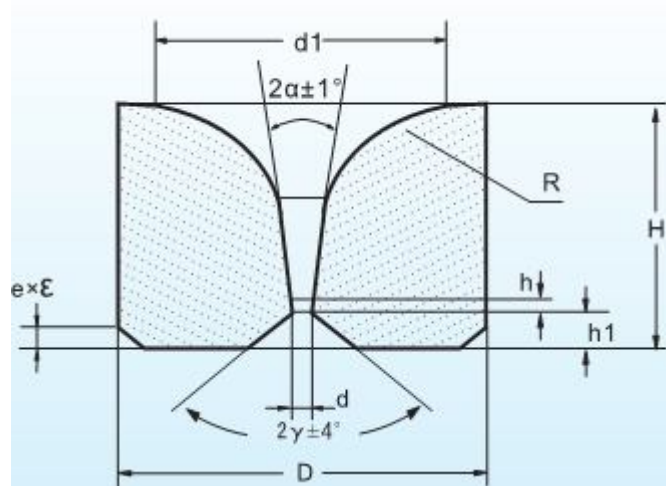
V-0171512-3.0R	V17-3-15R	17	15	3.0	12°	60°	2.0	2.5	4.7	12	-	1.0
V-0171512-3.5R	V17-3.5-15R	17	15	3.5	12°	60°	2.0	2.5	4.7	12	-	1.0
V-0171512-4.0R	V17-4-15R	17	15	4.0	12°	60°	2.0	3	4.8	12	-	1.0
V-0171512-2.5	V17-2.5-15R6.5	17	15	2.5	12°	60°	2.0	2.5	4.7	6.5	-	1.0
V-0171512-3.0	V17-3.0-15R6.5	17	15	3	12°	60°	2.0	2.5	4.7	6.5	-	1.0
V-0171512-3.5	V17-3.5-15R6.5	17	15	3.5	12°	60°	2.0	2.5	4.7	6.5	-	1.0
V-0171512-4.0	V17-4.0-15R6.5	17	15	4.0	12°	60°	2.0	2.5	4.7	6.5	-	1.0
V-0191716-1.8	V19-1.8-16	19	17	1.8	16°	75°	1.4	2.5	7.0	1.2	15.0	1.2
V-0191716-1.9		19	17	1.9	16°	75°	1.2	2.5	6.0	1.2	15.0	1.0
V-0191716-2.0	LV19-2.0-16	19	17	2.0	16°	75°	1.4	2.5	7.0	1.2	15.0	1.0
V-0191716-2.1		19	17	2.1	16°	75°	1.3	2.5	6.0	1.2	15.0	1.0
V-0191716-2.2		19	17	2.2	16°	75°	1.3	2.5	6.0	1.2	15.0	1.0
V-0191716-2.3	LV19-2.3-16	19	17	2.3	16°	75°	1.4	2.5	6.0	1.2	15.0	1.0
V-0191716-2.4		19	17	2.4	16°	75°	1.4	2.5	6.5	1.2	15.0	1.0
V-0191716-2.5		19	17	2.5	16°	75°	1.4	2.5	6.5	1.2	15.0	1.0
V-0191716-2.6	V19-2.6-16	19	17	2.6	16°	75°	1.4	2.5	7.0	1.2	15.0	1.0
V-0191716-2.7		19	17	2.7	16°	75°	1.4	2.5	7.0	1.2	15.0	1.0
V-0191716-2.8	V19-2.8-16	19	17	2.8	16°	75°	1.5	2.5	7.0	1.2	15.0	1.2
V-0191716-2.9		19	17	2.9	16°	75°	1.5	2.5	7.0	1.2	15.0	1.0
V-0191716-3.0	V19-3.0-16	19	17	3.0	16°	75°	1.5	2.5	7.0	1.2	15.0	1.2
V-0191716-3.2		19	17	3.2	16°	75°	1.5	2.5	7.0	1.2	15.0	1.0
V-0191716-3.3	V19-3.3-16	19	17	3.3	16°	75°	1.8	2.5	7.0	1.2	15.0	1.2
V-0191716-3.5		19	17	3.5	16°	75°	1.8	2.5	7.0	1.2	15.0	1.0
V-0191716-3.6	V19-3.6-16	19	17	3.6	16°	75°	1.8	2.5	7.0	1.2	15.0	1.2
V-0191716-3.8		19	17	3.8	16°	75°	1.9	2.5	7.0	1.2	15.0	1.0
V-0191716-3.9	LV19-3.9-16	19	17	3.9	16°	75°	2.0	2.5	7.0	1.2	15.0	1.2
V-0191716-4.1		19	17	4.1	16°	75°	2.1	2.5	7.0	1.2	15.0	1.0
V-0191716-4.2	V19-4.2-16	19	17	4.2	16°	75°	2.2	2.5	7.0	1.2	15.0	1.2
V-0191716-4.5		19	17	4.5	16°	75°	2.3	2.5	7.0	1.2	15.0	1.0
V-0191716-4.6	V19-4.6-16	19	17	4.6	16°	75°	2.4	2.5	7.0	1.2	15.0	1.0
V-0191716-4.9	V19-4.9-16	19	17	4.9	16°	75°	2.5	2.5	7.0	1.2	15.0	1.2
V-0191716-5.2	V19-5.2-16	19	17	5.2	16°	75°	2.6	2.5	7.0	1.2	15.0	1.2
V-0191716-5.5		19	17	5.5	16°	75°	2.7	2.5	7.0	1.2	16.0	1.0
V-0191716-5.6	V19-5.6-16	19	17	5.6	16°	75°	2.8	2.5	7.0	1.2	16.0	1.2
V-0191716-5.9	V19-5.9-19	19	17	5.9	16°	70°	3.0	2.5	7.0	1.2	16.0	1.0
V-0191716-6.2	V19-6.2-19	19	17	6.2	16°	70°	3.0	2.5	7.0	1.2	16.0	1.0
V-0191716-6.5	V19-6.5-19	19	17	6.5	16°	70°	3.0	2.5	7.0	1.2	16.0	1.0
V-0191716-6.8		19	17	6.8	16°	70°	3.0	2.5	7.0	1.2	16.0	1.0
V-0191714-6.9	V19-6.2-19	19	17	6.9	14°	70°	3.0	2.5	7.0	1.2	16.0	1.0
V-0231908-4.9		23	19	4.9	8°	60°	3.3	2.0	8.95	9.5	15.4	2.0
V-0231908-5.5		23	19	5.5	8°	60°	3.3	2.0	8.95	9.5	15.4	1.0
V-0231908-5.1		23	19	5.1	8°	60°	3.3	2.0	8.95	9.5	15.4	1.0
V-0252014-5.7	V25-5.7	25	20	5.7	14°	75°	2.5	3.0	7.0	1.5	20.0	1.0

V-0252014-6.0		25	20	6.0	14°	75°	2.6	3.0	7.0	1.5	20.0	1.0
V-0252014-6.2	V25-6.2	25	20	6.2	14°	75°	2.8	3.0	7.0	1.5	20.0	1.5
V-0252014-6.5		25	20	6.5	14°	75°	2.8	3.0	7.2	1.5	20.0	1.5
V-0252014-6.7	V25-6.7	25	20	6.7	14°	70°	2.8	3.0	7.5	1.5	20.0	1.5
V-0252014-7.0		25	20	7.0	14°	75°	2.9	3.0	7.5	1.5	20.0	1.5
V-0252014-7.2	V25-7.2	25	20	7.2	14°	70°	3.0	3.0	7.5	1.5	21.0	1.5
V-0252014-7.7	V25-7.7	25	20	7.7	14°	70°	3.0	3.0	8.0	1.5	21.0	1.5
V-0302114-8.2	V30-8.2	30	21	8.2	14°	75°	3.3	3.0	8.0	1.5	25.0	1.5
V-0302114-8.6	V30-8.6	30	21	8.6	14°	75°	3.3	3.0	8.5	1.5	25.0	1.5
V-0302114-9.0	V30-9.0	30	21	9.0	14°	75°	3.4	3.0	9.0	1.5	25.0	1.5
V-0302114-9.3	V30-9.3	30	21	9.3	14°	75°	3.4	3.0	9.0	1.5	25.0	1.5
V-0302114-9.6	V30-9.6	30	21	9.6	14°	75°	3.5	3.0	10.0	1.5	25.0	1.5
V-0302114-10.0	V30-10.0	30	21	10.0	14°	75°	3.6	3.0	10.0	1.5	25.0	1.5
V-0302114-10.5	V30-10.5	30	21	10.5	14°	75°	3.6	3.0	10.0	1.5	25.0	1.5
V-0302114-11.0	V30-11.0	30	21	11.0	14°	75°	3.7	3.0	10.5	1.5	25.0	1.5
V-0302114-11.5	V30-11.5	30	21	11.5	14°	75°	3.7	3.0	10.5	1.5	25.0	1.5

8. Datos para Trefilado de Alambre de Carburo de Tungsteno para Alambres de Metal Tipo LV

Alcance del Tamaño: 0.2mm~12mm

Parámetro de Tipo LV



Nuevo Tipo	Tipo Antiguo	Dimensión (mm)						Dimensión de Referencia (mm)				
		D	d	d1	H	h1	h	2α0	2β0	R	e	ε
LV-0131012-0.4	LV13-0.4	13	0.4	9	10	3.0	0.6	120	900	6	1.2	45°
LV-0131012-0.6	LV13-0.6	13	0.6	9	10	2.0	0.6	120	900	6	1.2	45°
LV-0131012-1.0	LV13-1.0	13	1.0	9	10	2.0	0.6	120	900	6	1.2	45°
LV-0131012-1.3	LV13-1.3	13	1.3	9	10	3.0	0.6	120	900	6	1.2	45°
LV-0131012-1.5	LV13-1.5	13	1.5	9	10	2.0	0.6	120	900	6	1.2	45°

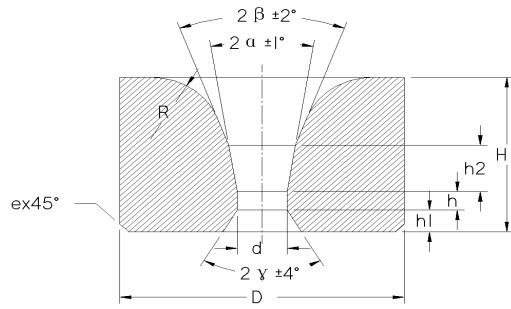
LV-0151212-0.4	LV15-0.4	15	0.4	13	12	2.0	0.6	120	850	9.7	1.2	45°
LV-0151312-1.5	LV15-1.5	15	1.5	12	13	2.0	1.0	120	850	6.8	1.2	45°
LV-0171514-0.5	LV17-0.5	17	0.5	13	15	3.0	0.6	140	900	10	1.2	45°
LV-0171514-0.6	LV17-0.6	17	0.6	13	15	3.0	0.6	140	900	10	1.2	45°
LV-0171514-0.8	LV17-0.8	17	0.8	13	15	3.0	0.7	140	900	10	1.2	45°
LV-0171514-1.0	LV17-1.0	17	1.0	13	15	3.0	0.7	140	900	10	1.2	45°
LV-0171514-1.2	LV17-1.2	17	1.2	13	15	3.0	0.9	140	900	10	1.2	15°
LV-0171514-1.5	LV17-1.5	17	1.5	13	15	3.0	0.9	140	900	10	1.2	15°
LV-0171514-2.0	LV17-2.0	17	2.0	13	15	3.0	1.0	140	900	10	1.2	15°
LV-0171514-2.5	LV17-2.5	17	2.5	13	15	3.0	1.0	140	900	10	1.2	15°
LV-0171514-3.0	LV17-3.0	17	3.0	13	15	3.0	1.0	140	900	10	1.2	15°
LV-0171514-3.5	LV17-3.5	17	3.5	13	15	3.0	1.3	140	900	10	1.2	15°
LV-0171514-4.0	LV17-4.0	17	4.0	13	15	3.0	1.5	140	900	10	1.2	15°
LV-0191712-1.0	LV19-1.0	19	1.0	15	17	2.5	1.0	120	850	8.5	1.5	15°
LV-0191712-1.3	LV19-1.3	19	1.3	15	17	2.5	1.0	120	850	8.5	1.5	15°
LV-0191712-1.5	LV19-1.5	19	1.5	15	17	2.5	1.2	120	850	8.5	1.5	15°
LV-0191712-2.0	LV19-2.0	19	2.0	15	17	2.5	1.3	120	850	8.5	1.5	15°
LV-0191712-3.0	LV19-3.0	19	3.0	15	17	2.5	1.5	120	850	8.5	1.5	15°
LV-0191712-4.0	LV19-4.0	19	4.0	15	17	2.5	1.7	120	850	8.5	1.5	15°
LV-0221816-1.5	LV22-1.5	22	1.5	18	18	3.6	1.0	160	900	12	1.5	15°
LV-0221816-2.0	LV22-2.0	22	2.0	18	18	3.6	1.0	160	900	12	1.5	15°
LV-0221816-3.0	LV22-3.0	22	3.0	18	18	3.6	1.0	160	900	12	1.5	45°
LV-0221816-3.5	LV22-3.5	22	3.5	18	18	3.6	1.5	160	900	12	1.5	45°
LV-0221816-4.0	LV22-4.0	22	4.0	18	18	3.6	1.5	160	900	12	1.5	45°
LV-0221816-4.5	LV22-4.5	22	4.5	18	18	3.6	1.8	160	900	12	1.5	45°
LV-0221816-5.0	LV22-5.0	22	5.0	18	18	3.6	1.8	160	900	12	1.5	45°
LV-0221816-5.5	LV22-5.5	22	5.5	18	18	3.6	2.0	160	900	12	1.5	ε
LV-0221816-6.0	LV22-6.0	22	6.0	18	18	3.6	2.0	160	900	12	1.5	45°
LV-0221816-6.5	LV22-6.5	22	6.5	18	18	3.6	2.0	160	900	12	1.5	45°
LV-0302018-7.7	LV30-7.7-L	30	7.7	25	20	3.5	3.0	180	750	11	1.5	45°
LV-0302018-9.0	LV30-9.0-L	30	9.0	25	20	3.5	3.0	180	750	11	1.5	45°
LV-0302018-10.0	LV30-10.0L	30	10.0	25	20	3.5	3.0	180	750	11	1.5	45°
LV-0302018-11.0	LV30-11.0L	30	11.0	25	20	3.5	3.0	180	750	11	1.5	45°

9. Datos para Trefilado de Alambre de Carburo de Tungsteno para Alambres de Metal Tipo

E

Alcance del Tamaño: 1.5mm~8mm

Parámetro de Tipo E

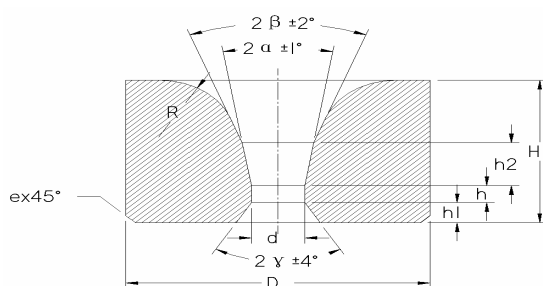


Nuevo Tipo	Tipo Antiguo	Dimensión (mm)						Dimensión de Referencia (mm)				
		D	H	d	2α	2β	2γ	h	h1	h2	R	e
E-0151318-1.8	LE15181830	15	13	1.8	18°	30°	60°	1.2	2.0	5.0	4.0	1.0
E-0151318-2.0	LE15201830	15	13	2.0	18°	30°	60°	1.2	2.0	5.0	4.0	1.0
E-0151318-2.3	LE15231830	15	13	2.3	18°	30°	60°	1.2	2.0	5.0	4.0	1.0
E-0151318-2.5	LE15251830	15	13	2.5	18°	30°	60°	1.2	2.0	5.0	4.0	1.0
E-0151318-2.8	LE15281830	15	13	2.8	18°	30°	60°	1.2	2.0	5.0	4.0	1.0
E-0191718-3.3	LE19331840	19	17	3.3	18°	40°	60°	1.8	2.5	7.0	3.0	1.0
E-0191718-3.6	LE19361840	19	17	3.6	18°	40°	60°	1.8	2.5	7.0	3.0	1.0
E-0201727-3.0	LE20302740	20	17	3.0	27°	40°	60°	1.8	2.0	6.0	5.0	1.5
E-0201727-3.3	LE20332740	20	17	3.3	27°	40°	60°	1.8	2.5	6.0	5.0	1.5
E-0201727-3.5	LE20352740	20	17	3.5	27°	40°	60°	1.8	2.5	6.0	5.0	1.5
E-0201727-3.7	LE20372740	20	17	3.7	27°	40°	60°	1.8	2.5	6.0	5.0	1.5
E-0201727-4.0	LE20402740	20	17	4.0	27°	40°	60°	1.8	2.5	6.0	5.0	1.5
E-0201727-4.2	LE20422750	20	17	4.2	27°	50°	60°	2.0	2.5	7.0	5.0	1.5
E-0201727-4.6	LE20462750	20	17	4.6	27°	50°	60°	2.0	2.5	7.0	4.0	1.5
E-0201727-5.2	LE20522750	20	17	5.2	27°	50°	60°	2.5	3.0	7.0	5.0	1.5
E-0201727-5.5	LE20552750	20	17	5.5	27°	50°	60°	2.5	3.0	7.0	5.0	1.5
E-0201727-5.7	LE20572750	20	17.5	5.7	27°	50°	60°	2.5	3.0	7.0	5.0	1.5
E-0201727-5.9	LE20592750	20	17.5	5.9	27°	50°	60°	2.5	3.0	7.0	5.0	1.5
E-0201730-4.3	LE20433050	20	17	4.3	30°	50°	60°	1.8	2.5	7.0	5.0	1.5
E-0201730-4.6	LE20463050	20	17	4.6	30°	50°	60°	2.3	3.0	6.0	5.0	1.5
E-0201730-4.9	LE20493050	20	17.5	4.9	30°	50°	60°	2.3	3.0	7.0	5.0	1.5
E-0201730-5.2	LE20523050	20	17.5	5.2	30°	50°	60°	2.5	3.0	7.0	4.0	1.5
E-0201730-5.5	LE20553050	20	17.5	5.5	30°	50°	60°	2.5	3.0	7.0	4.0	1.5
E-0201730-5.7	LE20573050	20	17.5	5.7	30°	50°	60°	2.5	3.0	7.0	4.0	1.5
E-0211727-6.0	LE21603050	21	17.5	6.0	27°	50°	60°	2.8	3.0	7.0	5.0	1.5
E-0211727-6.3	LE21633050	21	17.5	6.3	27°	50°	60°	2.8	3.0	7.0	5.0	1.5

10. Datos para Trefilado de Alambre de Carburo de Tungsteno para Alambres de Metal Tipo A

Alcance del Tamaño: 0.3mm~10.0mm

Parámetro de Tipo A



Nuevo Tipo	Tipo Antiguo	Dimensión (mm)						Dimensión de Referencia (mm)					
		D	H	d	2α	2β	2γ	h	h1	h2	R	e	E
A-0100812-0.30	A10-0.30	10	8	0.30	12°	90°	90°	≤0.1	1.6	3.7	5.0	1.0	45°
A-0100812-0.35	A10-0.35	10	8	0.35	12°	90°	90°	≤0.1	1.6	3.7	5.0	1.0	45°
A-0100812-0.40	A10-0.4	10	8	0.40	12°	90°	90°	≤0.1	1.6	3.7	5.0	1.0	45°
A-0100812-0.60	A10-0.6	10	8	0.6	12°	90°	90°	0.5	1.6	3.5	—	0.5	45°
A-0100812-0.80	A10-0.8	10	8	0.8	12°	90°	90°	0.6	1.6	3.5	—	0.5	45°
A-0100812-1.0	A10-1.0	10	8	1.0	12°	90°	90°	0.6	1.6	3.5	—	0.5	45°
A-0100816-0.4D		10	8	0.4	16	60	90	0.6	1.6	2.5	2.5	1	45°
A-0100816-0.6D		10	8	0.6	16	60	90	0.6	1.6	2.5	2.5	1	45°
A-0100816-1.0D		10	8	1.0	16	60	90	0.6	1.6	2.5	2.5	1	45°
A-0121012-0.20	A12-0.2	12	10	0.20	12°	90°	90°	≤0.1	1.2	2.9	6.5	1.2	15°
A-0121012-0.25	A12-0.25	12	10	0.25	12°	90°	90°	≤0.1	1.2	2.9	6.5	1.2	15°
A-0121012-0.30	A12-0.3	12	10	0.30	12°	90°	90°	≤0.1	1.2	2.9	6.5	1.2	15°
A-0121012-0.35	A12-0.35	12	10	0.35	12°	90°	90°	≤0.1	1.2	2.9	6.5	1.2	15°
A-0121012-0.40	A12-0.4	12	10	0.40	12°	90°	90°	0.4	2.0	5.0	—	1.0	45°
A-0121012-0.60	A12-0.6	12	10	0.60	12°	90°	90°	0.5	2.0	5.0	—	1.0	45°
A-0121012-0.80	A12-0.8	12	10	0.80	12°	90°	90°	0.6	2.0	5.0	—	1.0	45°
A-0121012-1.0	A12-1.0	12	10	1.0	12°	90°	90°	0.7	1.8	4.8	—	1.0	45°
A-0121012-1.4	A12-1.4	12	10	1.4	12°	90°	90°	1.0	1.8	4.8	—	1.0	45°
A-0121012-1.6	A12-1.6	12	10	1.6	12°	90°	90°	1.1	1.8	4.8	—	1.0	45°
A-0121012-1.8	A12-1.8	12	10	1.8	12°	90°	90°	1.2	1.8	4.8	—	1.0	45°
A-0141212-0.40	A14-0.4	14	12	0.4	12°	60°	75°	0.4	2.0	5.0	—	1.0	45°
A-0141212-0.60	A14-0.6	14	12	0.6	12°	60°	75°	0.5	2.0	5.0	—	1.0	45°
A-0141212-0.80	A14-0.8	14	12	0.8	12°	60°	75°	0.6	2.0	5.0	—	1.0	45°
A-0141212-1.0	A14-1.0	14	12	1.0	12°	60°	75°	0.7	2.0	5.0	—	1.0	45°
A-0141212-1.3	A14-1.3	14	12	1.3	12°	60°	75°	1.0	2.0	5.0	—	1.0	45°
A-0141212-1.8	A14-1.8	14	12	1.8	12°	60°	75°	1.2	2.0	5.0	—	1.0	45°
A-0141214-2.3	A14-2.3	14	12	2.3	14°	60°	75°	1.3	2.0	5.0	—	1.0	45°
A-0161312-0.6	A16-0.6	16	13	0.6	12°	60°	75°	0.5	2.5	4.5	—	1.0	45°
A-0161312-0.8	A16-0.8	16	13	0.8	12°	60°	75°	0.6	2.5	4.5	—	1.0	45°
A-0161312-1.0	A16-1.0	16	13	1.0	12°	60°	75°	0.7	2.5	4.5	—	1.0	45°
A-0161312-1.4	A16-1.4	16	13	1.4	12°	60°	75°	1.0	2.5	4.5	—	1.0	45°
A-0161312-1.8	A16-1.8	16	13	1.8	12°	60°	75°	1.2	2.5	4.0	—	1.0	45°

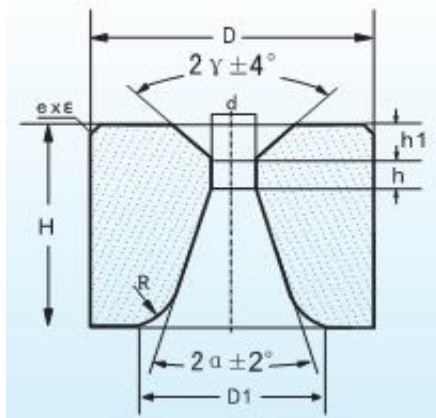
A-0161314-2.2	A16-2.2	16	13	2.2	14°	60°	75°	1.3	2.5	4.0	—	1.0	45°
A-0161314-2.4	A16-2.4	16	13	2.4	14°	60°	75°	1.3	2.5	4.0	—	1.0	45°
A-0161314-2.6	A16-2.4	16	13	2.6	14°	60°	75°	1.3	2.5	4.0	—	1.0	45°
A-0161314-3.0	A16-3.0	16	13	3.0	14°	60°	75°	1.4	2.5	4.0	—	1.0	45°
A-0201712-1.0	A20-1.0	20	17	1.0	12°	60°	60°	0.7	3.0	8.0	—	1.2	45°
A-0201712-1.3	A20-1.3	20	17	1.3	12°	60°	60°	1.0	3.0	8.0	—	1.2	45°
A-0201714-2.0	A20-2.0	20	17	2.0	14°	60°	60°	1.3	3.0	7.0	—	1.2	45°
A-0201714-2.2	A20-2.2	20	17	2.2	14°	60°	60°	1.3	3.0	7.0	—	1.2	45°
A-0201714-2.3	A20-2.3	20	17	2.3	14°	60°	60°	1.3	3.0	7.0	—	1.2	45°
A-0201714-2.8	A20-2.8	20	17	2.8	14°	60°	60°	1.4	3.0	7.0	—	1.2	45°
A-0201714-3.3	A20-3.3	20	17	3.3	14°	60°	60°	1.6	3.0	7.0	—	1.2	45°
A-0201714-3.8	A20-3.8	20	17	3.8	14°	60°	60°	1.9	3.0	7.0	—	1.2	45°
A-0201714-4.2	A20-4.2	20	17	4.2	14°	60°	60°	1.9	3.0	7.0	—	1.2	45°
A-0201714-4.7	A20-4.7	20	17	4.7	14°	60°	60°	1.9	3.0	7.0	—	1.2	45°
A-0201714-4.8	A20-4.8	20	17	4.8	14°	60°	60°	2.0	3.0	7.0	—	1.2	45°
A-0252014-2.3	A25-2.3	25	20	2.3	14°	60°	60°	1.3	4.0	8.5	—	1.2	45°
A-0252014-2.8	A25-2.8	25	20	2.8	14°	60°	60°	1.4	4.0	8.5	—	1.2	45°
A-0252014-3.3	A25-3.3	25	20	3.3	14°	60°	60°	1.6	4.0	8.5	—	1.2	45°
A-0252014-3.8	A25-3.8	25	20	3.8	14°	60°	60°	1.9	4.0	8.0	—	1.2	45°
A-0252014-4.2	A25-4.2	25	20	4.2	14°	60°	60°	1.9	4.0	8.0	—	1.2	45°
A-0252016-4.7	A25-4.7	25	20	4.7	16°	60°	60°	1.9	4.0	8.0	—	1.2	45°
A-0252016-4.8	A25-4.8	25	20	4.8	16°	60°	60°	1.9	4.0	8.0	—	1.2	45°
A-0252016-5.2	A25-5.2	25	20	5.2	16°	60°	60°	1.9	4.0	8.0	—	1.2	45°
A-0252016-5.5	A25-5.5	25	20	5.5	16°	60°	60°	2.2	4.0	7.5	—	1.2	45°
A-0252016-5.7	A25-5.7	25	20	5.7	16°	60°	60°	2.4	4.0	7.5	—	1.2	45°
A-0252016-6.2	A25-6.2	25	20	6.2	16°	60°	60°	2.6	4.0	7.5	—	1.2	45°
A-0252118-6.5	A25-6.5	25	21	6.5	18°	60°	60°	2.1	3.0	9.6	—	1.2	45°
A-0252118-7.0	A25-7.0	25	21	7.0	18°	60°	60°	2.5	3.0	9.6	—	1.2	45°
A-0252118-7.5	A25-7.0	25	21	7.5	18°	60°	60°	2.5	3.0	9.6	—	1.2	45°
A-0252118-8.5	A25-8.5	25	21	8.5	18°	60°	60°	2.5	3.0	9.6	—	1.2	45°
A-0292014-6.9	A29-6.9	29	20	6.9	14°	60°	60°	2.5	4.0	8.0	—	1.2	45°
A-0302416-3.8	A30-3.8	30	24	3.8	16°	60°	60°	2.5	5.0	8.0	—	1.2	45°
A-0302416-4.2	A30-4.2	30	24	4.2	16°	60°	60°	2.5	5.0	8.0	—	1.2	45°
A-0302416-4.7	A30-4.7	30	24	4.7	16°	60°	60°	2.5	4.0	8.0	—	1.2	45°
A-0302416-5.2	A30-5.2	30	24	5.2	16°	60°	60°	2.5	4.0	8.0	—	1.2	45°
A-0302416-5.5	A30-5.5	30	24	5.5	16°	60°	60°	2.5	3.0	8.0	5.0	1.2	45°
A-0302416-5.7	A30-5.7	30	24	5.7	16°	60°	60°	2.6	5.0	8.0	—	1.2	45°
A-0302416-6.2	A30-6.2	30	24	6.2	16°	60°	60°	2.6	5.0	8.0	5.0	1.2	45°
A-0302416-6.5	A30-6.5	30	24	6.5	16°	60°	60°	2.5	5.0	8.0	—	1.2	45°
A-0302416-6.7	A30-6.7	30	24	6.7	16°	60°	60°	2.6	5.0	8.5	—	1.2	45°
A-0302416-7.7	A30-7.7	30	24	7.7	16°	60°	60°	3.0	5.0	8.5	—	1.2	45°
A-0302416-8.7	A30-8.7	30	24	8.7	16°	60°	60°	3.3	5.0	8.5	—	1.2	45°
A-0302416-9.0	A30-9.0	30	24	9.0	16°	60°	60°	3.5	3.0	8.5	5.0	1.2	45°

A-0302416-9.7	A30-9.7	30	24	9.7	16°	60°	60°	3.5	3.0	8.0	—	1.2	45°
---------------	---------	----	----	-----	-----	-----	-----	-----	-----	-----	---	-----	-----

**11. Datos para Trefilado de Alambre de Carburo de Tungsteno para Alambres de Metal
Tipo R4**

Alcance del Tamaño: 2.0~5.0mm

Parámetro de Tipo R4

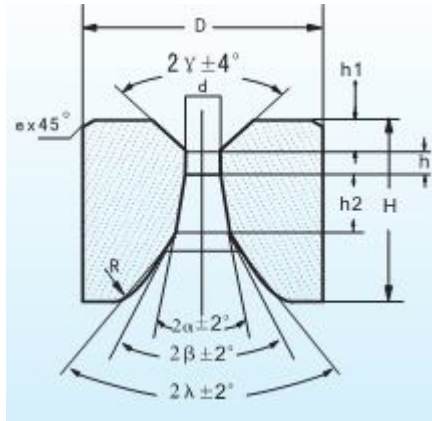


Nuevo Tipo	Tipo Antigo	Dimensión (mm)						Dimensión de Referencia (mm)				
		D	H	d	D1	2α	2γ	h	h1	R	e	E
R4-0121112-2.2	R4-2.2-12	12.7	11.4	2.2	10.0	12	90	1.2	2.0	5.0	1.0	45
R4-0121112-2.4	R4-2.4-12	12.7	11.4	2.4	10.0	12	90	1.2	2.0	5.0	1.0	45
R4-0121112-2.6	R4-2.6-12	12.7	11.4	2.6	10.0	12	90	1.2	2.0	5.0	1.0	45
R4-0121112-2.8	R4-2.8-12	12.7	11.4	2.8	10.0	12	90	1.2	2.0	5.0	1.0	45
R4-0121112-3.0	R4-3.0-12	12.7	11.4	3.0	10.0	12	90	1.4	2.0	5.5	1.0	45
R4-0121112-3.2	R4-3.2-12	12.7	11.4	3.2	10.0	12	90	1.4	2.0	5.5	1.0	45
R4-0121112-3.4	R4-3.4-12	12.7	11.4	3.4	10.0	12	90	1.4	2.0	5.5	1.0	45
R4-0121112-3.6	R4-3.6-12	12.7	11.4	3.6	10.0	12	90	1.4	2.0	5.5	1.0	45
R4-0121112-3.8	R4-3.8-12	12.7	11.4	3.8	10.0	12	90	1.4	2.0	5.5	1.0	45

**12. Datos para Trefilado de Alambre de Carburo de Tungsteno para Alambres de Metal
Tipo R5**

Alcance del Tamaño: 1.0mm~5.0mm

Parámetro de Tipo R5

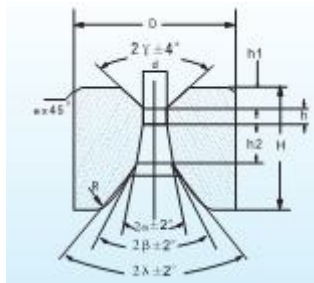


Nuevo Tipo	Tipo Antiguo	Dimensión (mm)						Dimensión de Referencia (mm)				
		D	H	d	2α	2β	2γ	h	h1	H2	R	E
R5-0161512-1.2	R5-1.2	16	15	1.2	12	35	70	0.6	2.5	6.0	3.0	1.0
R5-0161512-2.4	R5-2.4	16	15	2.4	12	35	70	1.2	2.5	5.6	3.0	1.0
R5-0161512-2.5	R5-2.5	16	15	2.5	12	35	70	1.25	2.5	5.6	2.5	1.0
R5-0161512-3.1	R5-3.1	16	15	3.1	12	35	70	1.5	2.5	5.3	2.5	1.0

13. Datos para Trefilado de Alambre de Carburo de Tungsteno para Alambres de Metal Tipo R6

Alcance del Tamaño: Personalizados

Parámetro de Tipo R6

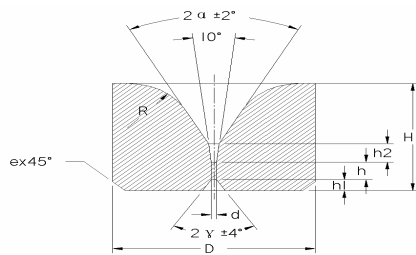


Nuevo Tipo	Tipo Antiguo	Dimensión (mm)							Dimensión de Referencia (mm)				
		D	H	d	2α	2β	2λ	2γ	h	h1	H2	R	E
R6-0181716-1.5	R6-1.5	18	17	1.5	16	35	70	60	0.6	3.0	6.0	2.0	1.0
R6-0181716-1.9	R6-1.9	18	17	1.9	16	35	70	60	1.0	3.0	5.8	2.0	1.0
R6-0181716-3.6		18	17	3.6	12	35	70	60	2.0	3.0	4.5	1.5	1.0
R6-0181716-4.2		18	17	4.2	12	35	70	60	2.0	3.0	4.5	1.5	1.0
R6-0181716-4.6	R6-4.6	18	17	4.6	16	35	70	60	2.2	3.0	4.6	1.5	1.0

14. Datos para Trefilado de Alambre de Carburo de Tungsteno para Alambres de Metal No-Ferrosos Tipo S01

Alcance del Tamaño: Personalizados

Parámetro de Tipo S01

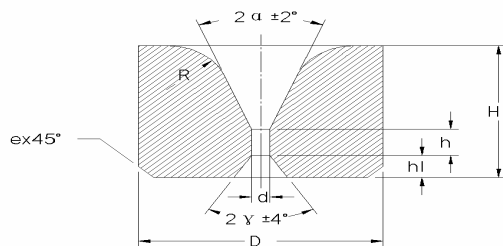


Nuevo Tipo	Tipo Antigo	Dimensión (mm)					Dimensión de Referencia (mm)			
		D	H	d	2α	2γ	h	h1	h2	R
S01-0060440-0.8	S01-0.8	6	4	0.2	40°	60°	0.8	0.6	0.8	1.5
S01-0080640-1.0	S01-1.0	8	6	0.2	40°	60°	1.0	0.6	1.0	2.5

15. Datos para Trefilado de Alambre de Carburo de Tungsteno para Alambres de Metal No-Ferrosos Tipo S10

Alcance del Tamaño: Personalizados

Parámetro de Tipo S10

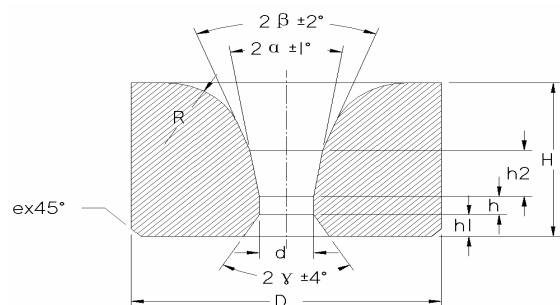


Nuevo Tipo	Tipo Antigo	Dimensión (mm)					Dimensión de Referencia (mm)			
		D	H	d	2α	2γ	h	h1	R	e
S10-0060440-0.3	S10-0.3	6	4	0.3	40°	60°	0.6	0.8	1.5	0.5
S10-0060440-0.4	S10-0.4	6	4	0.4	40°	60°	0.6	0.8	1.5	0.5
S10-0060440-0.6	S10-0.6	6	4	0.6	40°	60°	0.8	0.8	1.5	0.5
S10-0060440-0.7	S10-0.7	6	4	0.7	40°	60°	0.9	0.8	1.5	0.5
S10-0060440-0.8	S10-0.8	6	4	0.8	40°	60°	1.0	0.8	1.5	0.5
S10-0080640-0.3	LS10-0.3-8	8	6	0.3	40°	60°	0.2	1.0	2.0	0.5
S10-0080640-0.4	LS10-0.4-8	8	6	0.4	40°	60°	0.4	1.0	2.0	0.5
S10-0080640-0.6	LS10-0.6-8	8	6	0.6	40°	60°	0.6	1.0	2.0	0.5
S10-0080640-0.8	LS10-0.8-8	8	6	0.8	40°	60°	0.8	1.0	2.0	0.5
S10-0080640-1.0		8	6	1.0	40°	60°	1.0	0.6	2.5	0.5

16. Datos para Trefilado de Alambre de Carburo de Tungsteno para Alambres de Metal No-Ferrosos Tipo S12

Alcance del Tamaño: Personalizados

Parámetro de Tipo S12



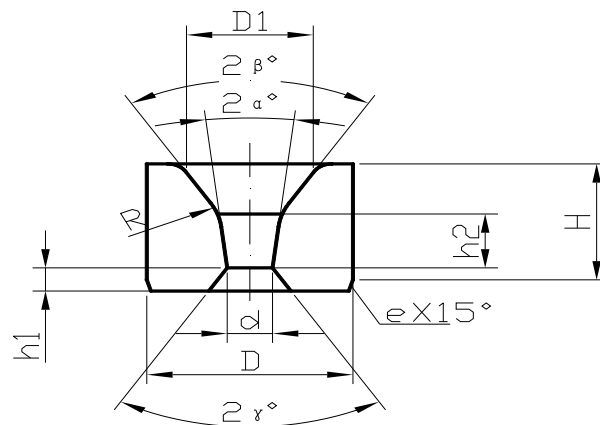
Nuevo Tipo	Tipo Antiguo	Dimensión (mm)						Dimensión de Referencia (mm)				
		D	H	d	2α	2β	2γ	h	h1	h2	R	e
S12-0080616-0.4	LS12-0.4	8	6	0.4	16°	40°	60°	0.3	1.0	1.6	2.5	0.6
S12-0080616-0.6	LS12-0.6	8	6	0.6	16°	40°	60°	0.3	1.0	1.6	2.5	0.6
S12-0080616-0.8	LS12-0.8	8	6	0.8	16°	40°	60°	0.4	1.0	1.6	2.5	0.6
S12-0130816-0.4	LS12-0.4-13	13	8	0.4	16°	40°	60°	0.3	1.2	2.0	3.0	1.0
S12-0130816-0.6	LS12-0.6-13	13	8	0.6	16°	40°	60°	0.3	1.2	2.0	3.0	1.0
S12-0130816-0.8	LS12-0.8-13	13	8	0.8	16°	40°	60°	0.4	1.2	2.0	3.0	1.0
S12-0130816-1.0	LS12-1.0-13	13	8	1.0	16°	40°	60°	0.6	1.2	2.5	3.0	1.0
S12-0130816-1.3	LS12-1.3-13	13	8	1.3	16°	40°	60°	0.6	1.2	2.5	3.0	1.0
S12-0130816-1.5		13	8	1.5	16°	40°	60°	0.7	1.2	2.5	3.0	1.0
S12-0130816-1.7		13	8	1.7	16°	40°	60°	0.8	1.2	2.5	3.0	1.0
S12-0130816-1.8	LS12-1.3-13	13	8	1.8	16°	40°	60°	0.8	1.2	2.5	3.0	1.0
S12-0130816-2.0		13	8	2.0	16°	40°	60°	0.8	1.2	2.5	3.0	1.0
S12-0130816-2.1		13	8	2.1	16°	40°	60°	0.8	1.2	2.5	3.0	1.0
S12-0130816-2.3	LS12-2.3-13	13	8	2.3	16°	40°	60°	0.8	1.2	2.5	3.0	1.0
S12-0161018-0.8	LS12-0.8-16	16	10	0.8	18°	40°	60°	0.4	1.6	2.5	4.0	1.0
S12-0161018-1.0	LS12-1.0-16	16	10	1.0	18°	40°	60°	0.6	1.6	2.5	4.0	1.0
S12-0161018-1.1		16	10	1.1	18°	40°	60°	0.6	1.6	2.5	4.0	1.0
S12-0161018-1.2		16	10	1.2	18°	40°	60°	0.6	1.6	2.5	4.0	1.0
S12-0161018-1.3	LS12-1.3-16	16	10	1.3	18°	40°	60°	0.6	1.6	2.5	4.0	1.0
S12-0161018-1.5		16	10	1.5	18°	40°	60°	0.6	1.6	2.5	4.0	1.0
S12-0161018-1.7	LS12-1.7-16	16	10	1.7	18°	40°	60°	0.75	1.6	3.0	4.0	1.0
S12-0161018-1.8	LS12-1.8-16	16	10	1.8	18°	40°	60°	0.8	1.6	3.0	4.0	1.0
S12-0161018-2.0		16	10	2.0	18°	40°	60°	0.8	1.6	3.0	4.0	1.0
S12-0201220-2.3	LS12-2.3-20	20	12	2.3	20°	40°	60°	0.8	1.6	3.0	4.0	1.0
S12-0201220-2.5	LS12-2.5-20	20	12	2.5	20°	40°	60°	0.8	1.6	3.0	4.0	1.0
S12-0201220-2.8	LS12-2.8-20	20	12	2.8	20°	40°	60°	1.0	2.0	4.0	4.0	1.0
S12-0201220-2.9		20	12	2.9	20°	40°	60°	1.2	2.0	4.5	4.0	1.0
S12-0201220-3.1		20	12	3.1	20°	40°	60°	1.2	2.0	4.5	4.0	1.0
S12-0201220-3.3	LS12-3.3-20	20	12	3.3	20°	40°	60°	1.2	2.0	4.5	4.0	1.0
S12-0201220-3.5		20	12	3.5	20°	40°	60°	1.2	2.0	4.5	4.0	1.0
S12-0201220-3.8	LS12-3.8-20	20	12	3.8	20°	40°	60°	1.2	2.0	4.5	4.0	1.0

S12-0201220-4.0		20	12	4.0	20°	40°	60°	1.2	2.0	4.5	4.0	1.0
S12-0221422-4.2	LS12-4.2-22	22	14	4.2	22°	40°	60°	1.4	2.0	5.5	4.0	1.0
S12-0221422-4.5		22	14	4.5	22°	40°	60°	1.4	2.0	5.5	4.0	1.0
S12-0221422-4.7	LS12-4.7-22	22	14	4.7	22°	40°	60°	1.4	2.0	5.5	4.0	1.0
S12-0221422-5.0		22	14	5.0	22°	40°	60°	1.4	2.0	5.5	4.0	1.0
S12-0221422-5.2	LS 12-5.2	22	14	5.2	22°	40°	60°	1.6	2.0	5.5	4.0	1.0
S12-0221422-5.5		22	14	5.5	22°	40°	60°	1.6	2.0	5.5	4.0	1.0
S12-0221422-5.7	LS12-5.7-22	22	14	5.7	22°	40°	60°	2.0	2.0	5.5	4.0	1.0
S12-0221622-6.4	LS12-6.4-22	22	16	6.4	22°	40°	60°	2.0	2.0	6.5	4.5	1.0
S12-0221622-7.2	LS12-7.2-22	22	16	7.2	22°	40°	60°	2.3	2.0	6.5	4.5	1.0
S12-0221622-8.0	LS12-8.0-22	22	16	8.0	22°	40°	60°	2.3	2.0	6.5	4.5	1.0
S12-0261622-6.4	LS12-6.4-26	26	16	6.4	22°	40°	60°	2.0	3.5	7.5	3.5	1.0
S12-0261622-6.7		26	16	6.7	22°	40°	60°	2.0	3.5	7.5	3.5	1.0
S12-0261622-7.0	LS12-7.0-26	26	16	7.0	22°	40°	60°	2.0	3.5	7.5	3.5	1.0
S12-0261622-7.2	LS12-7.2-26	26	16	7.2	22°	40°	60°	2.0	3.5	7.5	3.5	1.0
S12-0261622-7.5		26	16	7.5	22°	40°	60°	2.0	3.5	7.5	3.5	1.0
S12-0261622-7.7		26	16	7.7	22°	40°	60°	2.0	3.5	7.5	3.5	1.0
S12-0261622-8.0	LS12-8.0-26	26	16	8.0	22°	40°	60°	2.0	3.5	7.5	3.5	1.0

**17. Datos para Trefilado de Alambre de Carburo de Tungsteno para Alambres de Metal
Tipo LSV**

Alcance del Tamaño: Personalizados

Parámetro de Tipo LSV



Nuevo Tipo	Dimensión (mm)						Dimensión de Referencia (mm)					
	D	H	d	2αo	2βo	2γo	h	h1	h 2	R	e	D1
LSV-0161312-0.8	16	13	0.8	12	60	75	0	2.9	3.0	8.0	1.5	8.2
LSV-0161312-0.9	16	13	0.9	12	60	75	0	2.9	3.0	8.0	1.5	8.2
LSV-0161312-1.0	16	13	1.0	12	60	75	0	2.6	3.3	8.0	1.5	8.7
LSV-0161312-1.2	16	13	1.2	12	60	75	0	2.6	3.3	8.0	1.5	8.7
LSV-0161312-1.4	16	13	1.4	12	60	75	0	2.6	3.3	8.0	1.5	8.7

LSV-0161312-1.6	16	13	1.6	12	60	75	0	2.6	3.3	8.0	1.5	8.7
LSV-0161312-1.8	16	13	1.8	12	60	75	0	2.6	3.3	8.0	1.5	8.7
LSV-0161312-2.1	16	13	2.1	12	60	75	0	2.6	3.3	8.0	1.5	8.7
LSV-0161312-2.4	16	13	2.4	12	60	75	0	2.6	3.3	8.0	1.5	8.7
LSV-0201712-1.2	20	17	1.2	12o	60o	60o	0	3.9	4.9	8.0	1.5	10.4
LSV-0201712-1.3	20	17	1.3	12o	60o	60o	0	3.9	4.9	8.0	1.5	10.4
LSV-0201712-1.4	20	17	1.4	12o	60o	60o	0	3.9	5.7	8.0	1.5	10.4
LSV-0201712-1.5	20	17	1.5	12o	60o	60o	0	3.9	5.7	8.0	1.5	10.4
LSV-0201712-1.6	20	17	1.6	12o	60o	60o	0	3.9	5.7	8.0	1.5	10.4
LSV-0201712-1.7	20	17	1.7	12o	60o	60o	0	3.9	5.7	8.0	1.5	10.4
LSV-0201712-1.8	20	17	1.8	12o	60o	60o	0	3.1	5.7	8.0	1.5	10.4
LSV-0201712-2.0	20	17	2.0	12o	60o	60o	0	3.1	7.0	8.0	1.5	10.4
LSV-0201712-2.2	20	17	2.2	12o	60o	60o	0	3.1	7.0	8.0	1.5	10.4
LSV-0201712-2.4	20	17	2.4	12o	60o	60o	0	3.1	7.0	8.0	1.5	10.4
LSV-0201712-2.6	20	17	2.6	12o	60o	60o	0	3.1	7.0	8.0	1.5	10.4
LSV-0201712-2.9	20	17	2.9	12o	60o	60o	0	3.1	7.0	8.0	1.5	10.4
LSV-0201712-3.2	20	17	3.2	12o	60o	60o	0	3.1	6.4	8.0	1.5	12.3
LSV-0201712-3.4	20	17	3.4	12o	60o	60o	0	3.1	6.4	8.0	1.5	12.3
LSV-0201712-3.6	20	17	3.6	12o	60o	60o	0	3.1	6.4	8.0	1.5	12.3
LSV-0201712-4.0	20	17	4.0	12o	60o	60o	0	3.1	6.4	8.0	1.5	12.3
LSV-0201712-4.4	20	17	4.4	12o	60o	60o	0	3.1	7.2	8.0	1.5	12.3
LSV-0201712-5.0	20	17	5.0	12o	60o	60o	0	3.1	7.2	8.0	1.5	12.3

18. Datos para Trefilado de Alambre de Carburo de Tungsteno para Alambres de Metal Tipo GS1

Alcance del Tamaño: Personalizados